



see what Delta can do™

106363



X00106363

GLASS RINSER ENJUAGADOR DE VASOS RINCE-VERRES

MODEL/MODELO/MODÈLE _____


▲Specify Finish/Especifique el Acabado/Précisez le Fini

Register Online
Regístrese en línea
S'enregistrer en ligne
www.deltafaucet.com/registerme

To reference replacement parts and access additional technical documents and product info, visit www.deltafaucet.com

Para referencia sobre las piezas de repuesto y acceder a documentos técnicos adicionales e información del producto, visite www.deltafaucet.com

Pour obtenir la référence des pièces de rechange ainsi que pour avoir accès à d'autres documents techniques et renseignements sur le produit, allez à www.deltafaucet.com

 1-800-345-3358
customerservice@deltafaucet.com

Read all instructions prior to installation.

⚠ CAUTION
Failure to read these instructions prior to installation may result in personal injury, property damage, or product failure. Manufacturer assumes no responsibility for product failure due to improper installation.

Lea todas las instrucciones antes de hacer la instalación.

⚠ ADVERTENCIA
El no leer estas instrucciones de instalación puede resultar en lesiones personales, daños a la propiedad, o falla en el funcionamiento del producto. El fabricante no asume ninguna responsabilidad por la falla del producto debido a una instalación incorrecta.

Veuillez lire toutes les instructions avant l'installation.

⚠ AVERTISSEMENT
L'omission de lire les présentes instructions avant l'installation peut entraîner des blessures, des dommages matériels ou le bris du produit. Le fabricant se dégage de toute responsabilité à l'égard d'un bris du produit causé par une mauvaise installation.

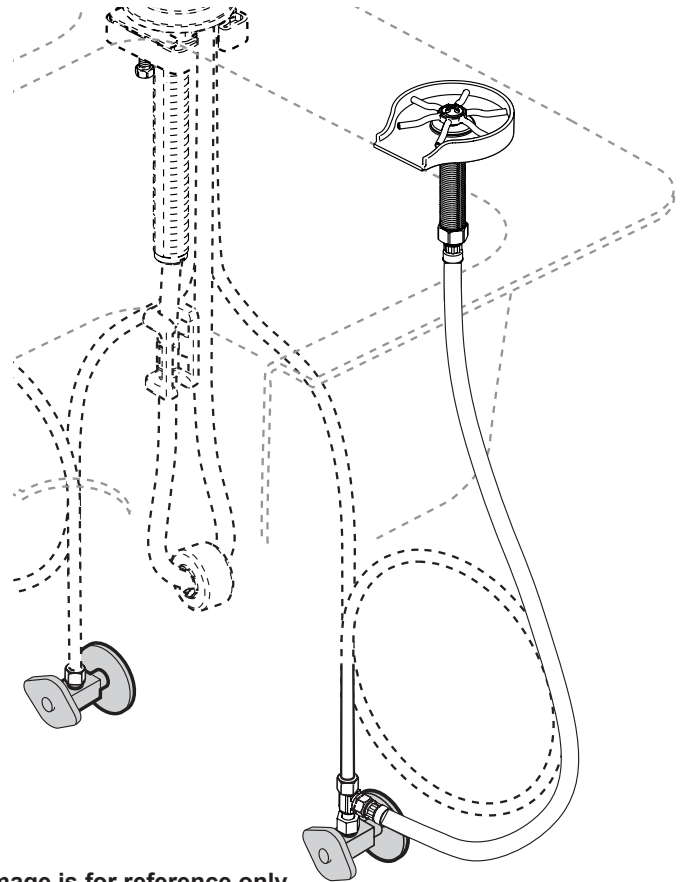
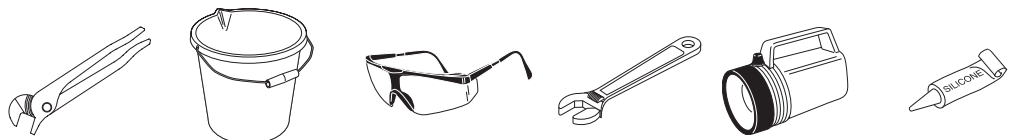


Image is for reference only.
La imagen es sólo para referencia.
L'image est fournie à titre indicatif seulement.

You may need:
Usted puede necesitar:
Articles dont vous pouvez avoir besoin :



Cleaning and Care

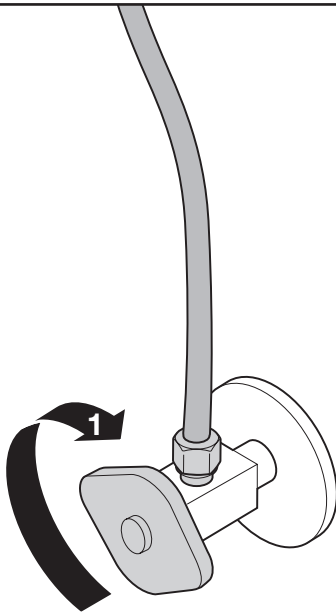
Care should be given to the cleaning of this product. Although its finish is extremely durable, it can be damaged by harsh abrasives or polish. To clean, simply wipe gently with a damp cloth and blot dry with a soft towel.

Limpieza y Cuidado de su Llave

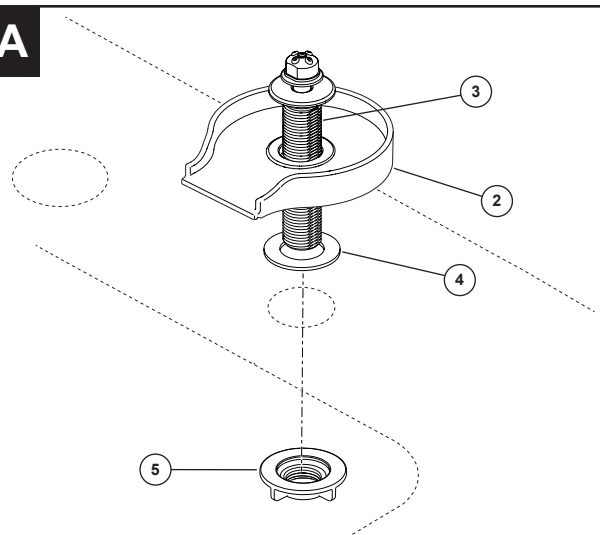
Tenga cuidado al limpiar este producto. Aunque su acabado es sumamente durable, puede ser afectado por agentes de limpieza o para pulir abrasivos. Para limpiar su llave, simplemente frótela con un trapo húmedo y luego séquela con una toalla suave.

Instructions de nettoyage

Il faut le nettoyer avec soin. Même si son fini est extrêmement durable, il peut être abîmé par des produits fortement abrasifs ou des produits de polissage. Il faut simplement le frotter doucement avec un chiffon humide et le sécher à l'aide d'un chiffon doux.

1

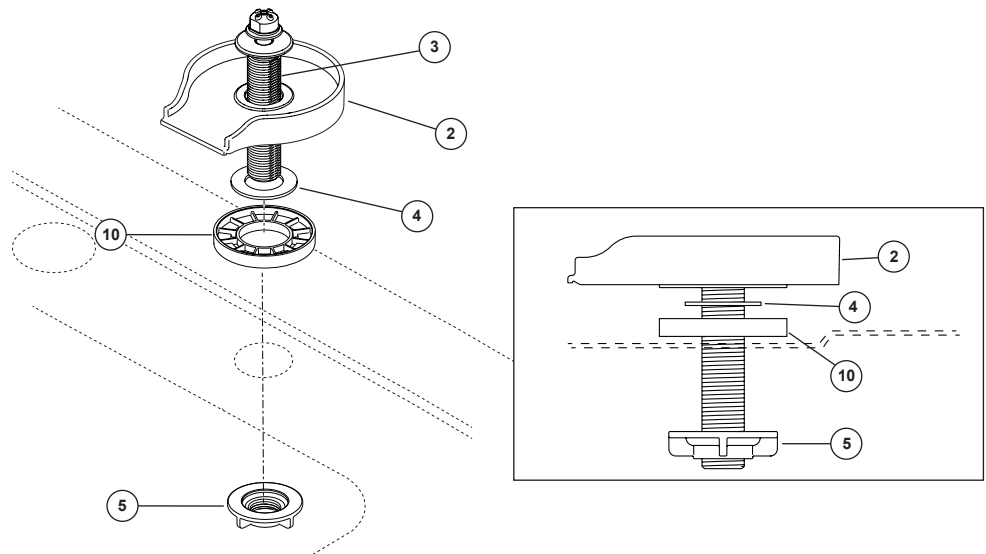
Turn off hot and cold water supplies at angle stops.
 Cierre los suministros de agua fría y caliente en los topes esquinales.
 Interrompez l'arrivée d'eau chaude et d'eau froide aux robinets d'arrêt angulaires.

2A

Slide mounting shank (3) through base (2) and steel support washer (4) from above. Support washer (4) if provided, sits on top of sink. Lower this assembly through sink from above. Ensure base is aligned with sink and outlet extends into basin prior to fully tightening mounting nut (5).

Desde arriba, deslice la espiga de montaje (3) a través de la base (2) y la arandela de soporte de acero (4). La arandela de soporte (4) si la tiene, va colocada en la parte superior del fregadero. Baje este ensamble a través del fregadero desde la parte superior. Asegúrese de que la base esté alineada con el fregadero y que el tubo de salida de agua se extienda hacia dentro del fregadero antes de apretar completamente la tuerca de montaje (5).

Introduisez le manchon de montage (3) dans la base (2) et la rondelle d'appui en acier (4) par le haut. La rondelle d'appui (4) si fournie, repose sur le dessus de l'évier. Abaissez cet ensemble dans l'évier. Assurez-vous que la base est positionnée correctement par rapport à l'évier et que la sortie fait saillie dans le bac avant de serrer l'écrou de montage (5) à fond.

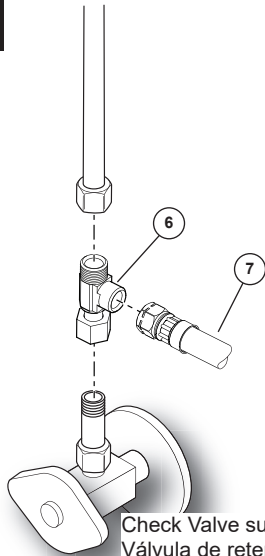
2B

For Sinks With Raised Ledges
Para fregaderos con orillas elevadas
Pour les éviers à bords relevés

Sinks with raised ledges may require the optional spacer (10). Slide mounting shank (3) through base (2) and steel support washer (4) from above. Support washer (4) sits on top of optional spacer (10). Lower this assembly through sink from above. Ensure base is aligned with sink and outlet extends into basin prior to fully tightening mounting nut (5).

Fregaderos con la orillas altas pueden requerir un separador opcional (10). Deslice la espiga de montaje (3) a través de la base (2) y la arandela de soporte de acero (4) desde la parte superior o de arriba. La arandela de soporte (4) se asienta sobre el separador opcional (10). Baje este ensamble a través del fregadero desde la parte superior o arriba. Asegúrese de que la base esté alineada con el fregadero y que el tubo de salida de agua se extienda hacia dentro del fregadero antes de apretar completamente la tuerca de montaje (5).

Pour les éviers à bords relevés, la pièce d'espacement (10) facultative peut être requise. Introduisez le manchon de montage (3) dans la base (2) et la rondelle d'appui en acier (4). La rondelle d'appui (4) repose sur le dessus de la pièce d'espacement facultative (10). Abaissez cet ensemble dans l'évier. Assurez-vous que la base est positionnée correctement par rapport à l'évier et que la sortie fait saillie dans le bac avant de serrer l'écrou de montage (5) à fond.

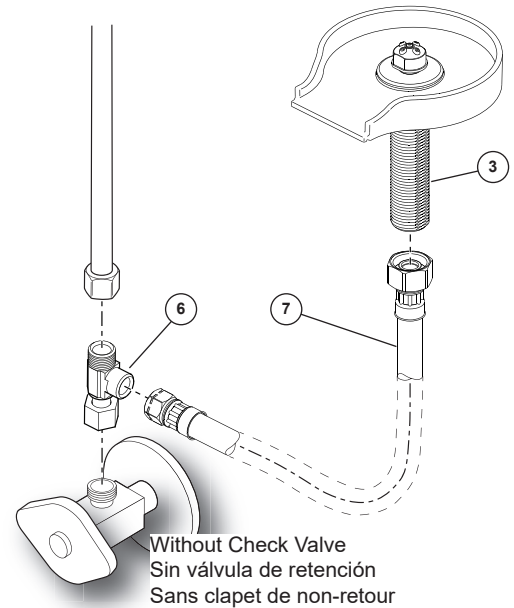
3

Check Valve supplied with Delta Touch₂O[®] faucet
 Válvula de retención suministrada con la llave de agua Delta Touch₂O[®]
 Clapet de non-retour fourni avec le robinet Delta Touch₂O[®]

⚠ CAUTION
 Potential scald injury could result if you choose to supply your glass rinser with hot water.

⚠ PRECAUCIÓN
 Se puede producir una lesión por escaldadura si elige suministrar agua de enjuague a su enjuague de vidrio.

⚠ ATTENTION
 Si vous décidez d'alimenter votre rince-verre en eau chaude, celui-ci pourrait causer l'ébouillantage.

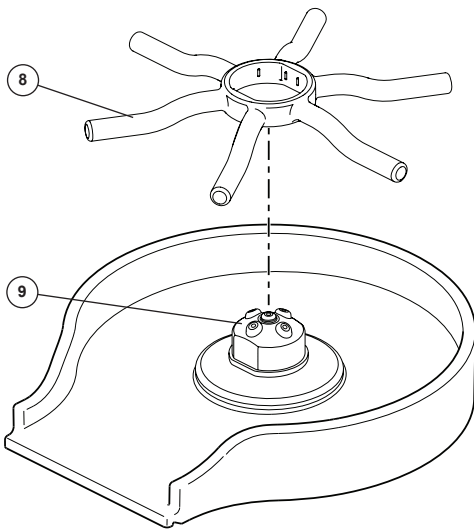


Without Check Valve
 Sin válvula de retención
 Sans clapet de non-retour

Determine whether you wish for your new glass rinser to be supplied by cold or hot water. Unthread existing faucet supply line from angle stop on the chosen side. Thread provided tee (6) onto angle stop in place of the supply line that was disconnected in the previous step. Thread both the faucet supply line and the 3/8" end of provided supply line (7) to tee. Thread the 1/2" end of provided supply line to mounting shank (3). Wrench may be used on shank flats to avoid rotation. When supply line is installed, check alignment and retighten mounting nut.

Determine si desea que su nuevo lava vasos sea suministrado con agua fría o caliente. Desenrosque la línea de suministro de la llave de agua existente del tope en la esquina en el lado elegido. Enrosque la te (6) provista en el tope en la esquina en lugar de la línea de suministro que se desconectó en el paso anterior. Enrosque la línea de suministro del grifo y el extremo de 3/8" de la línea de suministro provista (7) a la te. Rosque el extremo de 1/2" de la línea de suministro provista a la espiga de montaje (3). Rosque el extremo de 1/2" de la línea de suministro provista a la espiga de montaje (3).

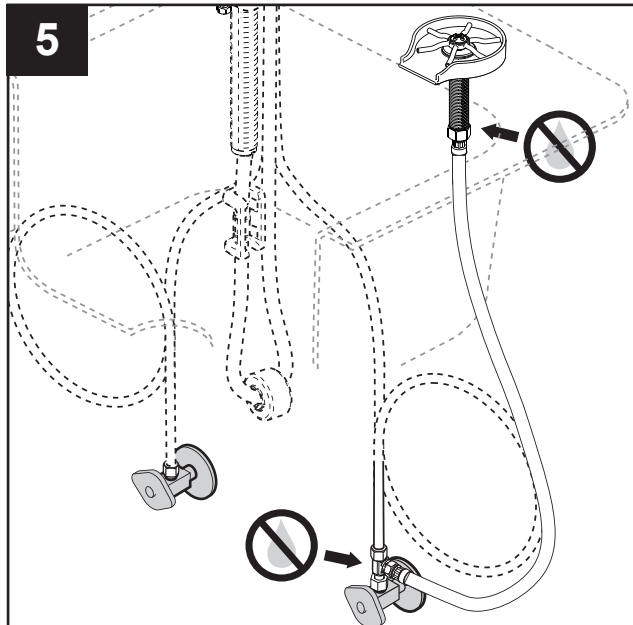
Déterminez si votre rince-verre sera alimenté en eau froide ou en eau chaude. Débranchez du robinet d'arrêt angulaire d'eau chaude ou d'eau froide, selon le cas, le tube qui alimente le robinet. Vissez le raccord en T (6) fourni sur le robinet d'arrêt à l'endroit où était branché le tube d'alimentation que vous avez débranché. Vissez le tube d'alimentation du robinet et l'extrémité de 3/8 po du tube d'alimentation fourni au raccord en T. Vissez le raccord de 1/2 po l'extrémité de du tube d'alimentation fourni sur le manchon de montage.

4

Align the locating features on the actuator arms (8) with those on the nozzle (9) and press actuator arms firmly into place on nozzle, oriented so the arms angle downward from the center. As needed, actuator arms can be removed for cleaning.

Alinee las piezas de ubicación en los brazos activadores del rocío (8) con las de la boquilla (9) y presione los brazos activadores firmemente en su lugar en la boquilla, orientados de tal manera que los brazos se inclinen hacia abajo a medida que dispersan desde el centro.

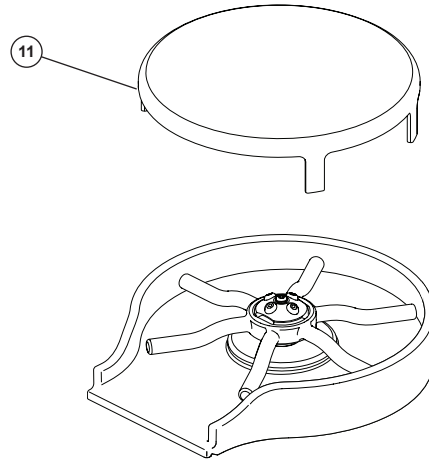
Faites correspondre les éléments de détrompage des bras de l'actionneur (7) et de l'ajutage (8), puis calez les bras de l'actionneur solidement sur l'ajutage. La courbure dans les bras à partir du centre doit être orientée vers le bas.

5

Turn on both water supplies at angle stops and check for leaks at all connections made during this installation.

Abra ambos suministros de agua en las paradas en ángulo y compruebe si hay fugas en todas las conexiones realizadas durante esta instalación.

Ouvrez les deux robinets d'arrêt et vérifiez l'étanchéité de tous les branchements que vous avez effectués au cours de l'installation.



The cover (11) can be set in place for aesthetic purposes and to prevent unintended activation when the glass rinser is not in use. The front of the cover is marked on the underside of cover for best fit.

La cubierta (11) se puede colocar en su lugar con fines estéticos y para evitar la activación involuntaria cuando no usa el lava vasos. La parte del frente de la cubierta está marcada en la parte de abajo de la cubierta para un mejor ajuste.

Vous pouvez mettre le couvercle (11) en place. Celui-ci joue un rôle esthétique et il empêche la mise en marche accidentelle du rince-verre lorsque celui-ci est inutilisé. La partie avant du couvercle est indiquée en dessous de celui-ci pour que vous puissiez l'installer correctement.

Limited Warranty on Delta® Faucets

Parts and Finish: All parts (other than electronic parts and batteries) and finishes of Delta® faucets purchased from authorized Delta sellers are warranted to the original consumer purchaser to be free from defects in material and workmanship for as long as the original consumer purchaser owns the home in which the faucet was first installed. For commercial purchasers, (a) the warranty period is ten (10) years for multi-family residential applications and (b) five (5) years for all other commercial applications, in each case from the date that the product is received by the original purchaser or their authorized representative (installation contractor, etc.). For purposes of this warranty, the term "multi-family residential application" refers to the purchase of the faucet from an authorized Delta seller by a purchaser who owns but does not live in the residential dwelling in which the faucet is initially installed, such as in a rented or leased single unit or multi-unit detached home (duplex or townhome), or a condominium, apartment building or community living center. The following installations are not considered multi-family residential applications, are excluded from the 10-year warranty and are subject to the 5-year warranty: industrial, institutional or other business premises, such as a dormitory, hospitality premises (hotel, motel or extended stay location), airport, educational facility, long- or short-term healthcare facility (hospital, rehabilitation center, nursing, assisted or staged-care living unit), public space or common area.

Parts and Finish for Delta® Recertified Faucets: Delta Faucet Company offers for sale online Delta® Recertified faucets. Delta® Recertified faucets only include faucets that have been certified as such by Delta Faucet Company. All parts (other than electronic parts and batteries) and finishes of these Delta® Recertified faucets are warranted to the original consumer purchaser to be free from defects in material and workmanship for ten (10) years from the date that the product is received by the original purchaser or their authorized representative (installation contractor, etc.). For commercial purchasers, the warranty period is one (1) year from the date that the product is received by the original purchaser or their authorized representative (installation contractor, etc.).

Electronic Parts: Electronic parts (other than batteries), if any, of Delta® faucets purchased from deltafaucet.com or authorized Delta sellers are warranted to the original consumer purchaser to be free from defects in material and workmanship for five (5) years from the date that the product is received by the original purchaser or their authorized representative (installation contractor, etc.) or, for commercial purchasers, for one (1) year from the date that the product is received by the original purchaser or their authorized representative (installation contractor, etc.). No warranty is provided on batteries.

What We Will Do: Delta Faucet Company will repair or replace, free of charge, during the applicable warranty period (as described above), any part or finish that proves defective in material and/or workmanship under normal installation, use and service. Delta Faucet Company may, in its sole discretion, use new, refurbished or recertified parts or products for such repair or replacement. If repair or replacement is not practical, Delta Faucet Company may elect to refund the purchase price in exchange for the return of the product. **These are your exclusive remedies.**

What Is Not Covered: Because Delta Faucet Company is unable to control the quality of Delta products sold by unauthorized sellers, unless otherwise prohibited by law, this warranty does not cover Delta products purchased from unauthorized sellers.

Any labor charges incurred by the purchaser to repair, replace, install or remove this product are not covered by this warranty. Delta Faucet Company shall not be liable for any damage to the faucet resulting from reasonable wear and tear, outdoor use, misuse (including use of the product for an unintended application), freezing water, abuse, neglect or improper or incorrectly performed installation, maintenance or repair, including failure to follow the applicable care and cleaning instructions. Delta Faucet Company recommends using a professional plumber for all installation and repair of faucets. We also recommend that you use only genuine Delta® replacement parts.

What You Must Do To Obtain Warranty Service or Replacement Parts: A warranty claim may be made and replacement parts may be obtained by calling 1 800 345 DELTA (3358) or by contacting us by mail or online as follows (please include your model number, date of original purchase and documentation of the date of receipt of the product by the original purchaser or their authorized representative (installation contractor, etc.):

In the United States and Mexico:
Delta Faucet Company
55 E. 111th Street
Carmel, IN 46280
Attention: Warranty Service
www.deltafaucet.com/service-parts/contact-us

In Canada:
Masco Canada Limited, Plumbing Group
Technical Service Centre
350 South Edgeware Road
St. Thomas, Ontario, Canada N5P 4L1
Attention: Customer Service
<http://www.deltafaucet.ca/customersupport/assistance.html>

Proof of purchase (original sales receipt showing purchase date) and documentation of the date of receipt of the product by the original purchaser or their authorized representative (installation contractor, etc.) from the original purchaser must be made available to Delta Faucet Company for all warranty claims unless the purchaser has registered the product with Delta Faucet Company or the product is a Delta® Recertified product purchased from deltafaucet.com. This warranty applies only to Delta® faucets manufactured after January 1, 2019 and installed in the United States of America, Canada and Mexico.

Limitation on Duration of Implied Warranties: Please note that some states/provinces (including Quebec) do not allow limitations on how long an implied warranty lasts, so the below limitations may not apply to you. TO THE MAXIMUM EXTENT PERMITTED BY APPLICABLE LAW, ANY IMPLIED WARRANTY, INCLUDING THE IMPLIED WARRANTIES OF MERCHANTABILITY AND OF FITNESS FOR A PARTICULAR PURPOSE, IS LIMITED TO THE STATUTORY PERIOD OR THE DURATION OF THIS WARRANTY, WHICHEVER IS SHORTER.

Limitation of Special, Incidental or Consequential Damages: Please note that some states/provinces (including Quebec) do not allow the exclusion or limitation of special, incidental or consequential damages, so the below limitations and exclusions may not apply to you. TO THE MAXIMUM EXTENT PERMITTED BY APPLICABLE LAW, THIS WARRANTY DOES NOT COVER, AND DELTA FAUCET COMPANY SHALL NOT BE LIABLE FOR, ANY SPECIAL, INCIDENTAL OR CONSEQUENTIAL DAMAGES (INCLUDING LABOR CHARGES TO REPAIR, REPLACE, INSTALL OR REMOVE THIS PRODUCT), WHETHER ARISING OUT OF BREACH OF ANY EXPRESS OR IMPLIED WARRANTY, BREACH OF CONTRACT, TORT, OR OTHERWISE. DELTA FAUCET COMPANY SHALL NOT BE LIABLE FOR ANY DAMAGE TO THE FAUCET RESULTING FROM REASONABLE WEAR AND TEAR, OUTDOOR USE, MISUSE (INCLUDING USE OF THE PRODUCT FOR AN UNINTENDED APPLICATION), FREEZING WATER, ABUSE, NEGLIGENCE OR IMPROPER OR INCORRECTLY PERFORMED INSTALLATION, MAINTENANCE OR REPAIR, INCLUDING FAILURE TO FOLLOW THE APPLICABLE INSTALLATION, CARE AND CLEANING INSTRUCTIONS. Notice to residents of the State of New Jersey: The provisions of this warranty, including its limitations, are intended to apply to the fullest extent permitted by the laws of the State of New Jersey.

Additional Rights: This warranty gives you specific legal rights, and you may also have other rights which vary from state/province to state/province. This is Delta Faucet Company's exclusive written warranty and the warranty is not transferable.

If you have any questions or concerns regarding our warranty, please contact us as provided above or view our Warranty FAQs at www.deltafaucet.com.

© 2023 Masco Corporation of Indiana

Garantía limitada de las llaves de agua/grifos Delta® Faucet

Piezas y Acabado: Todas las piezas (excepto las piezas electrónicas y las baterías) y los acabados de las llaves de agua Delta® comprados a vendedores autorizados de Delta están garantizados para el comprador consumidor original estar libres de defectos de materiales y mano de obra durante el tiempo que el comprador consumidor original sea dueño de la casa en la que la llave de agua se instaló por primera vez. Para compradores comerciales, (a) el período de garantía es de diez (10) años para aplicaciones residenciales multifamiliares y (b) cinco (5) años para todas las demás aplicaciones comerciales, en cada caso a partir de la fecha en que el comprador original o su representante autorizado (contratista de instalación, etc.) recibió el producto. A los efectos de esta garantía, el término "aplicación residencial multifamiliar" se refiere a la compra de la llave de agua a un vendedor autorizado de Delta por parte de un comprador que es propietario pero no vive en la vivienda residencial en la que se instaló inicialmente la llave de agua, como en una unidad individual alquilada o arrendada o en una vivienda unifamiliar de varias unidades (dúplex o casa adosada), o en un condominio, edificio de apartamentos o centro de vivienda comunitaria. Las siguientes instalaciones no se consideran aplicaciones residenciales multifamiliares, están excluidas de la garantía de 10 años y están sujetas a la garantía de 5 años: instalaciones industriales, institucionales u otras instalaciones comerciales, como dormitorios, instalaciones de hospitalidad (hotel, motel o ubicación de estadia prolongada), aeropuerto, centro educativo, centro de atención médica a corto o largo plazo (hospital, centro de rehabilitación, enfermería, unidad de vivienda asistida o de atención por etapas), espacio público o área común.

Piezas y acabados para llaves de agua recertificadas Delta® Recertified: Delta Faucet Company ofrece a la venta en línea llaves de agua/grifos recertificados Delta®. Los grifos Recertificados de Delta® solo incluyen llaves de agua que han sido certificadas como tales por Delta Faucet Company. Todas las piezas (excepto las piezas electrónicas y las pilas) y los acabados de estas llaves Recertificadas de Delta® están garantizados al comprador consumidor original estar libres de defectos de materiales y de mano de obra durante diez (10) años a partir de la fecha en que el comprador original o su representante autorizado (contratista de instalación, etc.) recibió el producto. Para compradores comerciales, el período de garantía es de un (1) año a partir de la fecha en que el comprador original o su representante autorizado (contratista de instalación, etc.) recibió el producto.

Partes electrónicas: Se garantiza al comprador consumidor original que las piezas electrónicas (que no sean pilas), si las hubiera, de las llaves de agua Delta® compradas en deltafaucet.com o a vendedores autorizados de Delta, estar libres de defectos de materiales y de mano de obra durante cinco (5) años a partir de la fecha en que el comprador original o su representante autorizado (contratista de instalación, etc.) recibió el producto o para compradores comerciales, durante un (1) año a partir de la fecha en que el comprador original o su representante autorizado (contratista de instalación, etc.) recibió el producto.
No se proporciona garantía en las pilas.

Lo que haremos: Delta Faucet Company reparará o reemplazará, sin cargo, durante el período de garantía aplicable (como se describe anteriormente), cualquier pieza o acabado que resulte defectuoso en material y/o mano de obra en condiciones normales de instalación, uso y servicio. Delta Faucet Company puede, a su exclusivo criterio, usar piezas o productos nuevos, reacondicionados o recertificados para dicha reparación o reemplazo. Si la reparación o el reemplazo no son prácticos, Delta Faucet Company puede optar por reembolsar el precio de compra a cambio de la devolución del producto. Estos son sus remedios exclusivos.

Lo que no está cubierto: Debido a que Delta Faucet Company no puede controlar la calidad de los productos Delta vendidos por vendedores no autorizados, a menos que la ley lo prohíba, esta garantía no cubre los productos Delta comprados a vendedores no autorizados. Esta garantía no cubre los cargos de mano de obra incurridos por el comprador para reparar, reemplazar, instalar o quitar este producto. Delta Faucet Company no será responsable de ningún daño a la llave de agua/grifo que resulte del desgaste razonable, uso en exteriores, mal uso (incluido el uso del producto para una aplicación no deseada), agua helada, abuso, negligencia o instalación o mantenimiento inadecuados o realizados incorrectamente o reparación, incluido el incumplimiento de las instrucciones de cuidado y limpieza correspondientes. Delta Faucet Company recomienda llamar a un plomero profesional para toda la instalación y reparación de las llaves de agua. También le recomendamos que utilice únicamente piezas de repuesto originales de Delta®.

Lo que debe hacer para obtener el servicio de garantía o las piezas de repuesto: Se puede realizar un reclamo de garantía y obtener piezas de repuesto llamando al 1 800 345 DELTA (3358) o comunicándose con nosotros por correo o en línea de la siguiente manera (incluya su número de modelo, fecha de compra original y documentación con la fecha cuando el comprador original o su representante autorizado (contratista de instalación, etc.) recibió el producto):

En los Estados Unidos y México:
Delta Faucet Company
55 E. 111th Street
Carmel, IN 46280
Attention: Warranty Service
www.deltafaucet.com/service-parts/contact-us

En Canadá:
Masco Canada Limited, Plumbing Group
Technical Service Centre
350 South Edgeware Road
St. Thomas, Ontario, Canada N5P 4L1
Attention: Customer Service
<http://www.deltafaucet.ca/customersupport/assistance.html>

El comprobante de compra (recibo de venta original que muestre la fecha de compra) y la documentación con la fecha cuando el comprador original o su representante autorizado (contratista de instalación, etc.) recibió el producto deben estar disponibles para Delta Faucet Company para todos reclamos de garantía a menos que el comprador haya registrado el producto con Delta Faucet Company o el producto sea un producto Delta® Recertified comprado en deltafaucet.com. Esta garantía se aplica solo a las llaves de agua Delta® fabricadas después del 1 de enero de 2019 e instaladas en los Estados Unidos de América, Canadá y México.

Limitación de la duración de las garantías implícitas: Tenga en cuenta que algunos estados/provincias (incluido Quebec) no permiten limitaciones sobre la duración de una garantía implícita, por lo que es posible que las siguientes limitaciones no se apliquen en su caso. EN LA MEDIDA MÁXIMA PERMITIDA POR LA LEY APLICABLE, CUALQUIER GARANTÍA IMPLÍCITA, INCLUIDAS LAS GARANTÍAS IMPLÍCITAS DE COMERCIABILIDAD E IDONEIDAD PARA UN FIN DETERMINADO, SE LIMITA AL PERÍODO LEGAL O A LA DURACIÓN DE ESTA GARANTÍA, EL QUE SEA MÁS BREVE.

Limitación de Daños Especiales, Incidentales o Consecuentes: Tenga en cuenta que algunos estados/provincias (incluido Quebec) no permiten la exclusión o limitación de daños especiales, incidentales o consecuentes, por lo que es posible que las siguientes limitaciones y exclusiones no se apliquen en su caso. EN LA MEDIDA MÁXIMA PERMITIDA POR LA LEY APLICABLE, ESTA GARANTÍA NO CUBRE, Y DELTA FAUCET COMPANY NO SERÁ RESPONSABLE DE NINGÚN DAÑO ESPECIAL, INCIDENTAL O CONSECUENTE (INCLUIDOS LOS CARGOS DE MANO DE OBRA PARA REPARAR, REEMPLAZAR, INSTALAR O QUITAR ESTE PRODUCTO), YA SEA QUE SURJA FUERA DEL INCUMPLIMIENTO DE CUALQUIER GARANTÍA EXPRESA O IMPLÍCITA, INCUMPLIMIENTO DE CONTRATO, AGRAVIO U OTRO. DELTA FAUCET COMPANY NO SERÁ RESPONSABLE DE CUALQUIER DAÑO A LA LLAVE DE AGUA O RESULTANTE DEL DESGASTE Y DESGASTE RAZONABLE. USO AL AIRE LIBRE, USO INCORRECTO (INCLUYENDO EL USO DEL PRODUCTO PARA UNA APLICACIÓN NO DESEADA), AGUA CONGELADA, ABUSO, DESCUIDO O INSTALACIÓN O MANTENIMIENTO IMPROPIOS O REALIZADOS INCORRECTAMENTE O REPARACIÓN, INCLUYENDO EL INCUMPLIMIENTO DE LAS INSTRUCCIONES DE INSTALACIÓN, CUIDADO Y LIMPIEZA CORRESPONDIENTES.

Aviso para los residentes del Estado de Nueva Jersey: Las disposiciones de esta garantía, incluidas sus limitaciones, se aplicarán en la medida máxima permitida por las leyes del Estado de Nueva Jersey.

Derechos adicionales: Esta garantía le otorga derechos legales específicos, y es posible que también tenga otros derechos que varían de un estado/provincia a otro estado/provincia. Esta es la garantía escrita exclusiva de Delta Faucet Company, y la garantía no es transferible.

Si tiene alguna pregunta o inquietud con respecto a nuestra garantía, comuníquese con nosotros como se indicó anteriormente o visite en nuestro sitio web Preguntas Frecuentes FAQ en www.deltafaucet.com

Garantie limitée des robinets Delta®

Pièces et finis: Tous les pièces (autres que les composants électroniques et les piles) et les finis de ce robinet Delta® achetés chez des vendeurs Delta autorisés sont protégés contre les défauts de matériau et les vices de fabrication par une garantie qui est consentie au premier acheteur au détail et qui demeure valide tant que celui-ci demeure propriétaire de la maison dans laquelle le robinet a été installé. En ce qui concerne les acheteurs commerciaux, la période de garantie est a) de dix (10) ans pour les applications résidentielles multifamiliales et b) de cinq (5) ans pour toutes les autres applications commerciales, à compter, dans chaque cas, de la date de réception du produit par le premier acheteur ou son représentant autorisé (installateur, etc.). Dans le libellé de la présente garantie, on entend par « application résidentielle multifamiliale », un robinet acheté chez un vendeur Delta autorisé par un acheteur qui est propriétaire d'un logement résidentiel sans l'habiter et installé pour la première fois dans cet immeuble. Il peut s'agir d'un immeuble individuel comportant un ou plus d'un logement loué à court terme ou à long terme (duplex ou groupe de maisons en rangée), d'un condominium, d'un immeuble d'habitation ou d'un centre d'intégration communautaire. Les applications décrites ci-après ne sont pas considérées comme des applications multifamiliales et elles sont couvertes par la garantie de 5 ans plutôt que par la garantie de 10 ans. Ce sont les suivantes : robinets installés dans un bâtiment industriel, un bâtiment institutionnel et un autre immeuble commercial, notamment une résidence d'étudiants, un lieu d'hébergement (hôtel, motel ou lieu de séjour prolongé), un aéroport, un établissement d'enseignement, un établissement de soins de santé de courte ou de longue durée (hôpital, centre de réadaptation, maison de soins infirmiers), un endroit public ou un lieu commun.

Pièces et finis des robinets recertifiés Delta®: Delta Faucet Company offre en vente en ligne des robinets recertifiés Delta®. Les robinets recertifiés Delta® comprennent uniquement les robinets qui ont été certifiés à ce titre par Delta Faucet Company. Tous les pièces (autres que les pièces électroniques et les piles) et les finis de ces robinets Delta® recertifiés sont protégés contre les défauts de matériau et les vices de fabrication par une garantie qui est consentie au premier acheteur au détail et qui est d'une durée de dix (10) ans à compter de la date de réception du produit par le premier acheteur ou son représentant autorisé (installateur, etc.). En ce qui concerne les acheteurs commerciaux, la période de garantie est d'un (1) an à compter de la date de réception du produit par le premier acheteur ou son représentant autorisé (installateur, etc.).

Composants électroniques: Les composants électroniques (autres que les piles), le cas échéant, de ce robinet Delta® qui ont été achetés auprès de deltafaucet.com ou de vendeurs Delta autorisés sont protégés contre les défauts de matériau et les vices de fabrication par une garantie consentie au premier acheteur au détail qui est de cinq (5) ans à compter de la date de réception du produit par le premier acheteur ou son représentant autorisé (installateur, etc.). En ce qui concerne les acheteurs commerciaux, la période de garantie est d'un (1) an à compter de la date de réception du produit par le premier acheteur ou son représentant autorisé (installateur, etc.). Les piles ne sont pas couvertes par la garantie.

Ce que nous ferons: Delta Faucet Company réparera ou remplacera gratuitement, pendant la période de garantie applicable (décrite ci-dessus), toute pièce ou tout fini qui présentera une défécuosité de matériau et/ou un vice de fabrication pour autant que le produit ait été installé, utilisé et entretenu normalement. Delta Faucet Company peut, à sa seule discrétion, utiliser des produits neufs, remis à neuf ou recertifiés ou des pièces neuves, remises à neuf ou recertifiées pour effectuer la réparation ou le remplacement. S'il n'est pas utile de réparer ou de remplacer le produit, Delta Faucet Company pourra rembourser le prix d'achat en échange du produit retourné. Il s'agit de vos seuls recours.

Ce qui n'est pas couvert: Étant donné que Delta Faucet Company n'est pas en mesure de contrôler la qualité des produits vendus par des vendeurs non autorisés, la présente garantie ne s'applique pas aux produits Delta vendus par des vendeurs non autorisés, à moins que cette restriction ne soit interdite par la loi.

La présente garantie ne couvre pas les frais de main-d'œuvre encourus par l'acheteur pour la réparation, le remplacement, l'installation ou la dépose du robinet. Delta Faucet Company se dégage de toute responsabilité à l'égard de toute détérioration du robinet résultant d'une usure raisonnable et des dommages causés par une utilisation à l'extérieur, un mauvais usage (y compris l'utilisation du produit à des fins autres que celles auxquelles il est destiné), le gel de l'eau, un usage abusif, la négligence ou l'utilisation d'une méthode d'installation, de maintenance ou de réparation incorrecte ou inadéquate, y compris les dommages résultant du non-respect des instructions de nettoyage et d'entretien applicables. Delta Faucet Company vous recommande de confier tous les travaux d'installation et de réparation à un plombier professionnel. Nous vous recommandons également d'utiliser uniquement des pièces de rechange Delta® authentiques.

Ce que vous devez faire pour vous prévaloir de la garantie ou obtenir des pièces de rechange: Vous pouvez présenter une réclamation en vertu de la garantie et obtenir des pièces de rechange en appelant au 1-800-345-DELTA (3358) ou en communiquant avec nous à l'une des adresses postales ou des adresses de courriel indiquées ci-dessous (veuillez fournir le numéro de modèle, la date de l'achat initial et la documentation attestant la date de réception du produit par le premier acheteur ou son représentant autorisé (installateur, etc.)).

Aux États-Unis et au Mexique

Delta Faucet Company
55 E. 111th Street
Carmel, IN 46280
Attention: Warranty Service
www.deltafaucet.com/service-parts/contact-us

Au Canada:

Masco Canada Limited, Groupe plomberie
Centre de services techniques
350, chemin South Edgeware
St. Thomas (Ontario) Canada N5P 4L1
À l'attention du Service à la clientèle
<http://www.deltafaucet.ca/customersupport/assistance.html>

La preuve d'achat (original du reçu du premier acheteur montrant la date d'achat) et la documentation attestant la date de réception du produit par le premier acheteur ou son représentant autorisé (installateur, etc.) doivent être présentées à Delta Faucet Company pour toutes les demandes en vertu de la garantie, sauf si le produit a été enregistré auprès de Delta Faucet Company ou si le produit est un produit recertifié Delta® acheté auprès de deltafaucet.com. La présente garantie s'applique uniquement aux robinets Delta® fabriqués après le 1er janvier 2019 et installés aux États-Unis d'Amérique, au Canada et au Mexique.

Limitation de la durée des garanties implicites: Veuillez noter qu'il est interdit, dans certains États ou certaines provinces (y compris le Québec), de limiter la durée d'une garantie implicite. Par conséquent, les limitations mentionnées ci-dessous peuvent ne pas s'appliquer à vous. **DANS LA MESURE DE CE QUI EST PERMIS PAR LA LOI APPLICABLE, TOUTES LES GARANTIES IMPLICITES, Y COMPRIS LES GARANTIES IMPLICITES DE QUALITÉ MARCHANDE ET D'ADÉQUATION À UN USAGE PARTICULIER, SE LIMITENT À LA PÉRIODE FIXÉE PAR LA LOI OU À LA DURÉE DE LA PRÉSENTE GARANTIE, LA PLUS COURTE DES DEUX PÉRIODES S'APPLIQUANT.**

Limitation des dommages particuliers, consécutifs ou indirects: Veuillez noter qu'il est interdit, dans certains États ou certaines provinces (y compris le Québec), d'exclure ou de limiter les dommages particuliers, consécutifs ou indirects. Par conséquent, les limitations et les exclusions mentionnées ci-dessous peuvent ne pas s'appliquer à vous. **DANS LA MESURE DE CE QUI EST PERMIS PAR LA LOI APPLICABLE, DELTA FAUCET COMPANY SE DÉGAGE DE TOUTE RESPONSABILITÉ À L'ÉGARD DES DOMMAGES PARTICULIERS, CONSÉCUTIFS ET INDIRECTS (Y COMPRIS LES FRAIS DE MAIN-D'ŒUVRE POUR LA RÉPARATION, LE REMPLACEMENT, L'INSTALLATION OU LA DÉPOSE DU PRODUIT), PEU IMPORTE QU'ILS DÉCOULENT D'UNE RUPTURE D'UNE GARANTIE IMPLICITE OU EXPLICITE, D'UNE RUPTURE DE CONTRAT, D'UN DÉLIT CIVIL OU D'UNE AUTRE CAUSE. DELTA FAUCET COMPANY SE DÉGAGE DE TOUTE RESPONSABILITÉ À L'ÉGARD DE TOUTE DÉTÉRIORATION DU ROBINET RÉSULTANT D'UNE USURE RAISONNABLE ET DES DOMMAGES CAUSÉS PAR UNE UTILISATION À L'EXTÉRIEUR, UN MAUVAIS USAGE (Y COMPRIS L'UTILISATION DU PRODUIT À DES FINS AUTRES QUE CELLES AUXQUELLES IL EST DESTINÉ), LE GEL DE L'EAU, UN USAGE ABUSIF, LA NÉGLIGENCE OU L'UTILISATION D'UNE MÉTHODE D'INSTALLATION, DE MAINTENANCE OU DE RÉPARATION INCORRECTE OU INADÉQUATE, Y COMPRIS LES DOMMAGES RÉSULTANT DU NON-RESPECT DES INSTRUCTIONS D'INSTALLATION, D'ENTRETIEN ET DE NETTOYAGE APPLICABLES, ET CES DOMMAGES NE SONT PAS COUVERTS PAR LA GARANTIE. Avis à l'intention des résidents de l'État du New Jersey : Les dispositions de la présente garantie, y compris ses limitations, s'appliquent dans toute la mesure permise par les lois de l'État du New Jersey.**

Droits supplémentaires: La présente garantie vous procure des droits particuliers reconnus par la loi. Vous pouvez avoir d'autres droits qui varient selon l'État ou la province. La présente garantie écrite est la seule garantie offerte par Delta Faucet Company et elle n'est pas transférable.

Si vous avez des questions ou des préoccupations concernant notre garantie, veuillez communiquer avec nous de la manière indiquée ci-dessus ou consulter notre FAQ sur la garantie à www.deltafaucet.com.



see what Delta can do™

106559



X00106559

TOUCH₂O® PULL-DOWN KITCHEN & BAR/ PREP FAUCET

LLAVE DE AGUA/GRIFO EXTRAÍBLE TOUCH₂O® PARA COCINAS Y FREGADEROS PARA PREPARATIVOS/BARES

ROBINET TOUCH₂O® À BEC RÉTRACTABLE POUR ÉVIER D'ÎLOT, DE BAR ET DE CUISINE

MODEL/MODELO/MODÈLE _____

▲Specify Finish/Especifique el Acabado/Précisez le Fini

Register Online
Regístrese en línea
S'enregistrer en ligne
www.deltafaucet.com/registerme

To reference replacement parts and access additional technical documents and product info, visit www.deltafaucet.com

Para referencia sobre las piezas de repuesto y acceder a documentos técnicos adicionales e información del producto, visite www.deltafaucet.com

Pour obtenir la référence des pièces de rechange ainsi que pour avoir accès à d'autres documents techniques et renseignements sur le produit, allez à www.deltafaucet.com



1-800-345-3358
customerservice@deltafaucet.com

Read all instructions prior to installation.

CAUTION

Failure to read these instructions prior to installation may result in personal injury, property damage, or product failure. Manufacturer assumes no responsibility for product failure due to improper installation.

Lea todas las instrucciones antes de hacer la instalación.

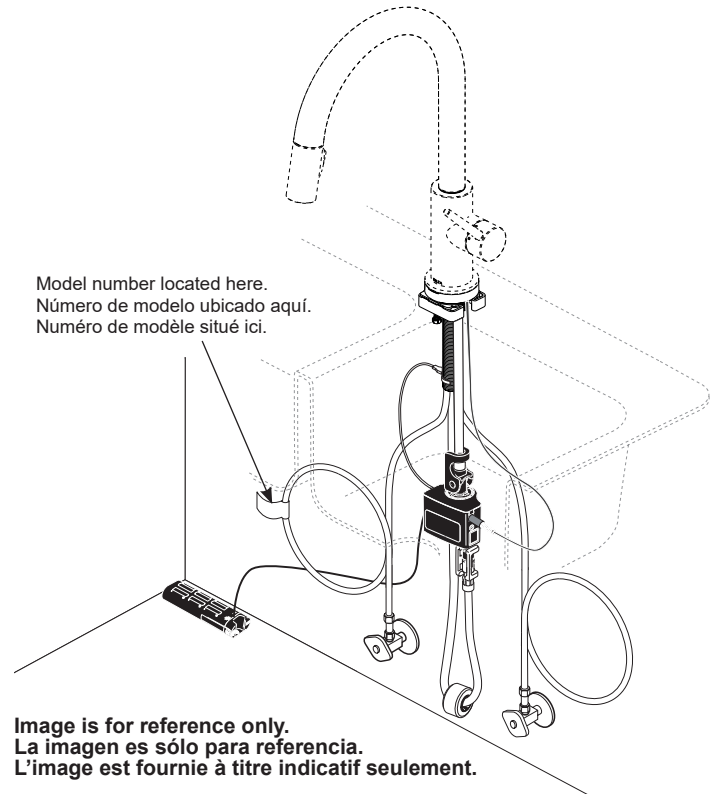
ADVERTENCIA

El no leer estas instrucciones de instalación puede resultar en lesiones personales, daños a la propiedad, o falla en el funcionamiento del producto. El fabricante no asume ninguna responsabilidad por la falla del producto debido a una instalación incorrecta.

Veillez lire toutes les instructions avant l'installation.

AVERTISSEMENT

L'omission de lire les présentes instructions avant l'installation peut entraîner des blessures, des dommages matériels ou le bris du produit. Le fabricant se dégage de toute responsabilité à l'égard d'un bris du produit causé par une mauvaise installation.



Model number located here.
Número de modelo ubicado aquí.
Numéro de modèle situé ici.

Image is for reference only.
La imagen es sólo para referencia.
L'image est fournie à titre indicatif seulement.

Optional / Opcional / Optionnel



Congratulations, Your faucet has a new feature. Delta® ShieldSpray™ Technology cuts through stubborn messes with a concentrated stream and contains the splatter with an innovative water shield. Now you can power off the mess without making a bigger one.

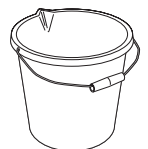
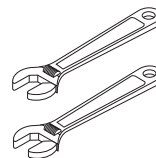
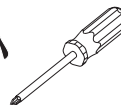
Felicitaciones, su grifo tiene una nueva característica. La tecnología de Delta® ShieldSpray™ corta los sucios persistentes con un chorro intenso y contiene la salpicadura con un protector de agua innovador. Ahora usted tiene la potencia de limpieza sin ensuciar más.

Félicitations! Votre robinet a une nouvelle caractéristique. La technologie ShieldSprayMC de Delta® utilise un jet concentré qui déloge la saleté incrustée et un écran d'eau innovateur qui empêche les éclaboussures. Vous pouvez maintenant déloger la saleté sans tout salir dans les environs.

You may need:
Usted puede necesitar:
Articles dont vous pouvez avoir besoin :

Hex Wrench
Llave hexagonal
Clé hexagonale

3/32"



Cleaning and Care

Care should be given to the cleaning of this product. Although its finish is extremely durable, it can be damaged by harsh abrasives or polish. To clean, simply wipe gently with a damp cloth and blot dry with a soft towel.

Limpieza y Cuidado de su Llave

Tenga cuidado al limpiar este producto. Aunque su acabado es sumamente durable, puede ser afectado por agentes de limpieza o para pulir abrasivos. Para limpiar su llave, simplemente frótelas con un trapo húmedo y luego séquela con una toalla suave.

Instructions de nettoyage

Il faut le nettoyer avec soin. Même si son fini est extrêmement durable, il peut être abîmé par des produits fortement abrasifs ou des produits de polissage. Il faut simplement le frotter doucement avec un chiffon humide et le sécher à l'aide d'un chiffon doux.

Solenoid Troubleshooting

Note: Normal operation of the faucet will turn off water flow if faucet is not touched for 4 minutes.

1. If your spout flashes a red light on then off and then keeps repeating this, replace the batteries. If the spout still flashes a red light, please replace solenoid and electronics kit**. (see manual bypass of electronics section*)
2. If your spout displays the proper light, but no water is coming out of the spout,
 - a. Verify the handle is in the "on" position.
 - b. Verify the water supplies are turned to the "on" position.
 - c. Move handle to the "off" position. Unscrew hose from spray head and check for any debris in the spray head inlet. Move handle to the "on" position to verify water is reaching the sprayer. Replace spray head.
 - d. Move handle to the "off" position. Remove the hose from the solenoid and move handle to the "on" position to check for flow coming from the solenoid. Reconnect hose to solenoid.
 - e. With handle in the "off" position, remove the hose from the faucet to the solenoid. Move handle to the "on" position to check if water is going through the manual valve and reaching the solenoid. If water is getting to the solenoid, but it is not getting through the solenoid, replace solenoid and electronics kit**.
3. If your LED base indicator is not displaying any lights,
 - a. Check to make sure the spout connector, RP53233 is attached to the spout and the wire from the solenoid / electronics kit. If it is disconnected, or loose (see step 6), reattach and check for proper operation.
 - b. Replace batteries.
 - c. If it is attached and the light still does not display on the indicator at the base of the spout, replace the spout assembly**.

*For immediate and temporary operation of your faucet.

**Refer to part diagram included in this document for correct RP number.

Solución de averías del solenoide

Nota: El funcionamiento normal del grifo/llave de agua desconectará el flujo de agua si el grifo no se toca durante 4 minutos.

1. Si la luz de su surtidor destella una luz roja que se prende y se apaga que se repite, reemplace las pilas. Si el surtidor sigue destellando una luz roja, reemplace el solenoide y el juego de piezas o kit electrónico**. (Véase el desvío manual de la sección electrónica*)
2. Si su surtidor muestra la luz adecuada, pero no sale agua por la salida del surtidor,
 - a. Verifique que la manija esté en la posición abierta "on".
 - b. Verifique que los suministros de agua estén en la posición abierta "on".
 - c. Mueva la manija a la posición cerrada "off". Desatornille la manguera de la cabeza del rociador y verifique si hay residuos en la entrada de la cabeza de rociador. Mueva la manija a la posición abierta "on" para verificar que el agua esté llegando al rociador. Cambie la cabeza del rociador.
 - d. Mueva la manija a la posición cerrada "off". Retire la manguera del solenoide y mueva la manija a la posición abierta "on" para comprobar si hay flujo desde el solenoide. Vuelva a conectar la manguera al solenoide.
 - e. Con la manija en la posición cerrada "off", retire la manguera que se extiende de la llave de agua/grifo al solenoide. Mueva la manija a la posición abierta "on" para verificar si el agua está pasando por la válvula manual y llegando al solenoide. Si el agua llega al solenoide, pero no está pasando por el solenoide, reemplace el solenoide y el juego de piezas electrónicas**.
3. Si su base con el indicador LED no está exhibiendo ninguna luz,
 - a. Fíjese que el conector del surtidor, RP53233 está conectado al surtidor y al cable del kit desolenoid/electrónico. Si está desconectado o está suelto (consulte el paso 6), vuelva a colocarlo y fíjese si funciona correctamente.
 - b. Reemplace las pilas.
 - c. Si está conectado y la luz todavía no ve en el indicador en la base del surtidor, reemplace el ensamble/las piezas del surtidor**.

*Para funcionamiento inmediato o temporario de su llave de agua.

** Para obtener el número RP correcto, vea el diagrama de las piezas que se incluye en este documento.

Dépannage de l'électrovanne

Note : En mode de fonctionnement normal, le robinet interrompt l'écoulement de l'eau après 4 minutes s'il n'a pas été effleuré.

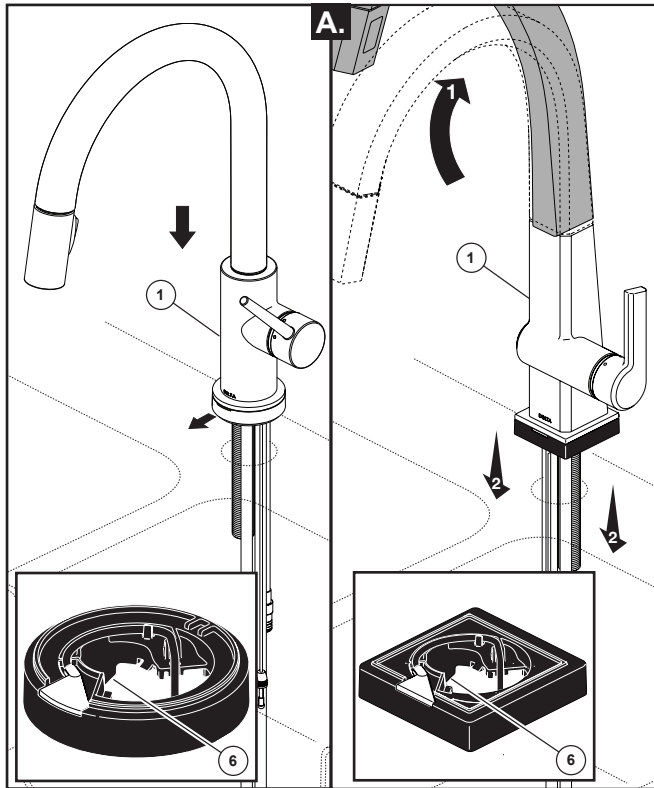
1. Si le voyant rouge du bec s'allume et se ferme à différents moments, remplacez les piles. Si le voyant rouge du bec continue à s'allumer et à se fermer, remplacez l'électrovanne et le dispositif électronique** (consultez la section qui porte sur le contournement du dispositif électronique).
2. Si le voyant du bec est de la bonne couleur, mais l'eau ne s'écoule pas du bec :
 - a. Assurez-vous que la manette est en position d'ouverture.
 - b. Assurez-vous que les robinets d'alimentation sont ouverts.
 - c. Placez la manette en position de fermeture. Dévissez le tuyau souple de la tête de pulvérisation et voyez s'il y a des corps étrangers à l'entrée de celle-ci. Placez la manette en position d'ouverture pour voir si l'eau arrive à la tête de pulvérisation. Remettez la tête de pulvérisation en place.
 - d. Placez la manette à la position de fermeture. Retirez le tuyau souple de l'électrovanne et placez la manette en position d'ouverture pour voir si de l'eau s'écoule de l'électrovanne. Rebranchez le tuyau souple à l'électrovanne.
 - e. Alors que la manette se trouve en position de fermeture, enlevez le tuyau souple qui se trouve entre le robinet et l'électrovanne. Placez la manette en position d'ouverture pour voir si l'eau traverse la soupape manuelle et atteint l'électrovanne. Si l'eau arrive à l'électrovanne, mais n'en sort pas, remplacez l'électrovanne et le dispositif électronique**.
3. Si le voyant à DEL de la base n'est pas allumé :
 - a. Assurez-vous que le connecteur du bec RP53233 est fixé au bec ainsi qu'au fil de l'électrovanne et du dispositif électronique. S'il est débranché ou il a du jeu (reportez-vous à l'étape 6), refixez-le et vérifiez le fonctionnement.
 - b. Remplacez les piles.
 - c. Si le connecteur est fixé et le voyant à la base du bec ne s'allume pas, remplacez le bec**.

*Pour utilisation immédiate et temporaire de votre robinet.

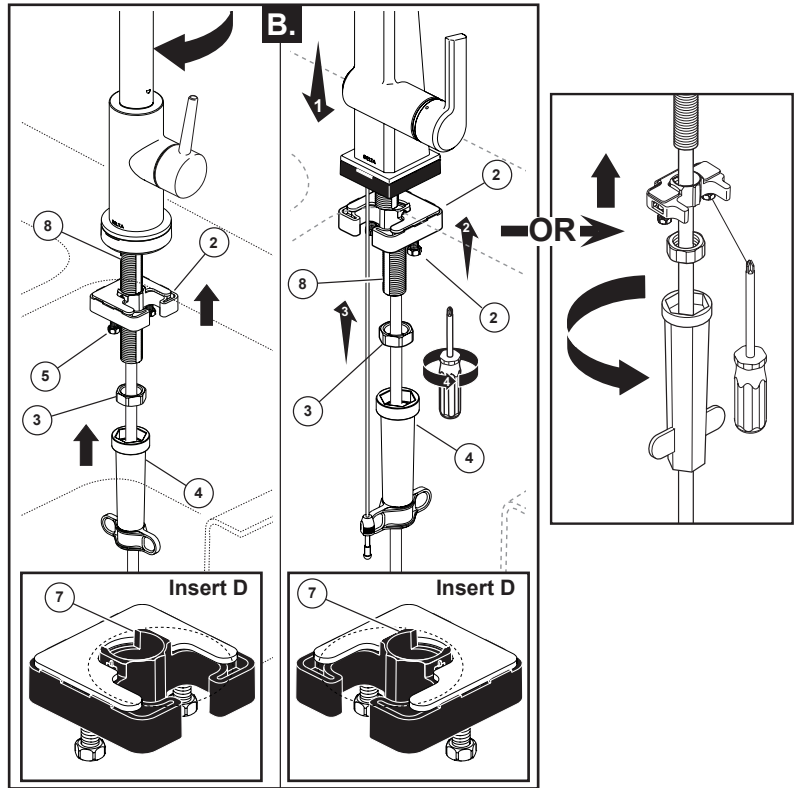
**Consultez le diagramme des pièces inclus dans le présent document pour obtenir le bon numéro RP.

1

MOUNT FAUCET TO DECK INSTALE LA LLAVE DE AGUA EN EL BORDE MONTEZ LE ROBINET SUR LA PLAGÉ



- A.** Insert faucet tubes and shank through mounting hole in sink; and, place faucet (1) over mounting hole. Ensure that the light at the base is facing forward.
 Ensure tab on base (6) is in sink hole.



- B.** Secure faucet to sink with mounting bracket (2) and nut (3), ensure parts are oriented as shown in **Insert D**. Mount underneath sink, hand tighten. Tighten securely using wrench (4). Ensure isolation feature (7) on bracket is in sink hole. Shank (8) must not touch edge of sink to ensure proper touch operation. Adjust position of faucet above sink then tighten locking screws (5) using a Phillips screwdriver.
HINT: Turn the spout tube opposite the handle to balance the assembly when mounting.

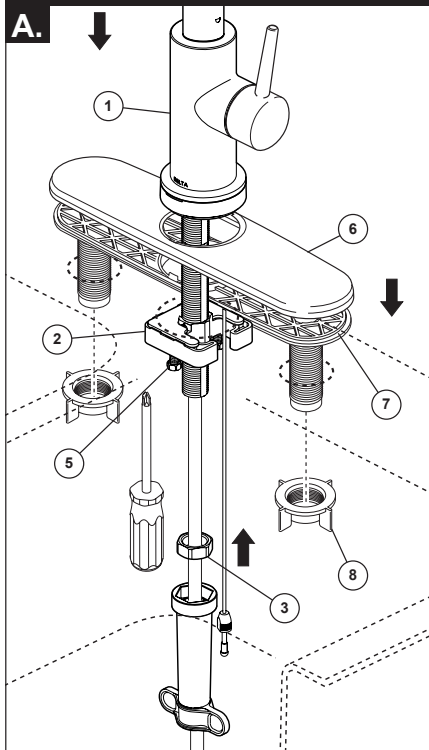
- A.** Inserte los tubos del grifo y la espiga a través del orificio de montaje en el fregadero; y coloque el grifo (1) sobre el orificio de montaje. Asegúrese de que la luz en la base esté hacia adelante.
 Asegúrese de que la lengüeta en la base (6) esté en el orificio del fregadero.

- B.** Fije la llave de agua/grifo al fregadero con el soporte de montaje y la tuerca, asegúrese de que las piezas estén orientadas como se muestra en el **Inserto D**. Instale debajo del fregadero, apriete a mano. Apriete firmemente con una llave de tuercas. Asegúrese que la pieza de aislamiento (7) ubicada en el soporte está en el orificio del fregadero. La espiga (8) no debe tener contacto con el borde del fregadero para asegurar una operación táctil apropiada.
 Ajuste la posición de la llave de agua/grifo sobre el fregadero y apriete los tornillos de fijación (5) con un destornillador Phillips.
Sugerencia: Gire el tubo del surtidor hacia el lado opuesto de la manija para nivelar las piezas al montarlo.

- A.** Introduisez les tubes et le manchon fileté dans le trou de montage de l'évier, puis appuyez le robinet (1) au-dessus du trou de montage. Assurez-vous que le voyant sur la base se trouve à l'avant.
 Assurez-vous que la patte sur la base (6) se trouve dans le trou de l'évier.

- B.** Fixez le robinet à l'évier avec le support de montage (2) et l'écrou (3) en prenant soin d'orienter les pièces comme le montre l'**insertion D**. Serrez l'écrou à la main par-dessous l'évier. Serrez-le ensuite avec une clé (4). Assurez-vous que l'isolant (7) sur le support se trouve dans le trou de l'évier. Le manchon (8) ne doit pas entrer en contact avec le bord de l'évier pour que le robinet fonctionne correctement en mode d'affleurement.
 Positionnez le robinet sur l'évier, puis serrez les vis de blocage (5) avec un tournevis Phillips. **CONSEIL :** Tournez le tube du bec pour le placer du côté opposé à celui de la manette afin que le robinet soit équilibré pendant le montage.

OPTIONAL / OPCIONAL / FACULTATIVE



Optional Escutcheon Installation

For optional installations using the 10 1/2" escutcheon. Place the 10 1/2" escutcheon (6) and gasket (7) under faucet (1), hand tighten using escutcheon nuts (8). Mount as shown above using the mounting bracket (2). Tighten mounting nut (3) securely by hand, and then tighten with wrench provided. Then, using a Phillips screwdriver, tighten locking screws (5).

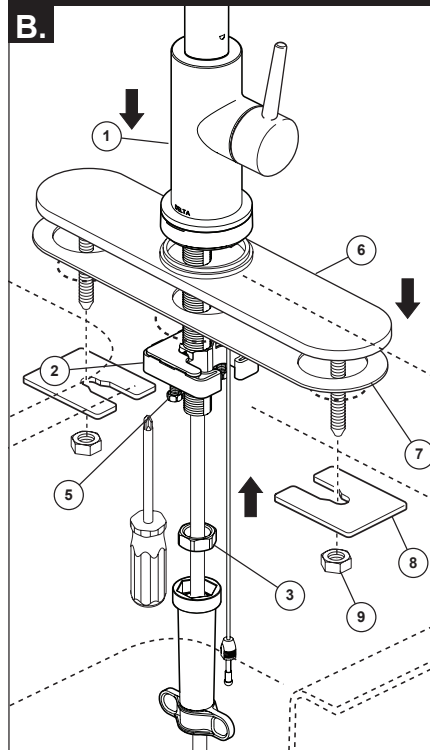
Instalación de la chapa de cubierta opcional

Para las instalaciones opcionales utilizando la chapa de 10 1/2". Coloque la chapa de 10 1/2" (6) y el empaque (7) debajo de la llave de agua/grifo (1), apriételes a mano con las tuercas de la chapa (8). Instale como se muestra arriba usando el soporte de montaje (2). Apriete bien la tuerca de montaje a mano (3) con la llave de tuercas suministrada y, a luego, con un destornillador Phillips, apriete los tornillos de fijación (5).

Installation de la plaque de finition facultative

Pour l'installation du robinet avec la plaque de finition de 10 1/2 po facultative. Placez la plaque de finition de 10 1/2 po (6) et le joint (7) sous le robinet (1), puis serrez les écrous de la plaque de finition (8) à la main. Montez le robinet de la manière indiquée ci-dessus à l'aide de la fixation (2). Serrez l'écrou de montage (3) solidement à la main, puis serrez-le à l'aide de la clé fournie. Serrez ensuite les vis de blocage (5) à l'aide d'un tournevis Phillips.

OPTIONAL / OPCIONAL / FACULTATIVE



Optional Escutcheon Installation

For optional installations using the 10 1/2" escutcheon, (specify finish) not supplied. Place the 10 1/2" escutcheon (6) and gasket (7) under faucet (1), hand tighten using escutcheon washers (8) and nuts (9). Mount as shown above using the mounting bracket (2). Tighten mounting nut (3) securely by hand, and then tighten with wrench provided. Then, using a Phillips screwdriver, tighten locking screws (5).

Instalación de la chapa de cubierta opcional

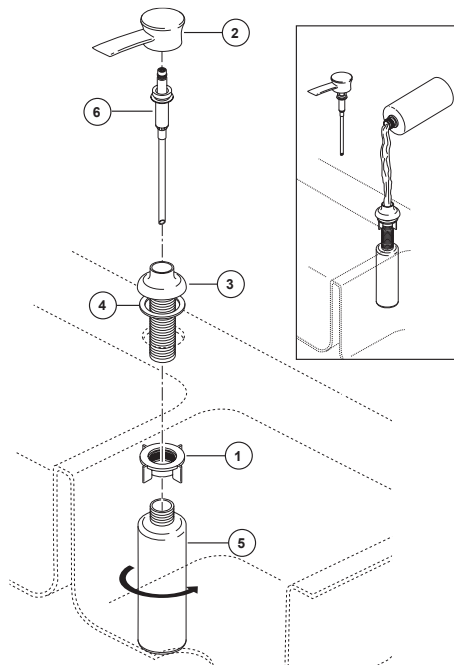
Para las instalaciones opcionales utilizando la chapa de cubierta de 10 1/2", (especifique el acabado) no suministrada. Coloque la chapa de 10 1/2" (6) y la junta (7) debajo de la llave de agua/grifo (1), apriete a mano con las arandelas (8) y las tuercas (9). Monte como se muestra arriba usando el soporte de montaje (2). Apriete la tuerca (3) firmemente con la mano y luego apriete con la llave suministrada. Luego, con un destornillador Phillips, apriete los tornillos de fijación (5).

Installation de la plaque de finition facultative

Pour l'installation du robinet avec la plaque de finition facultative de 10 1/2 po (précisez le fini) non fournie. Placez la plaque de finition de 10 1/2 po (6) et le joint (7) sous le robinet (1), puis immobilisez-les à l'aide des rondelles (8) et des écrous (9) de la plaque de finition en serrant ces derniers à la main. Montez le robinet de la manière indiquée à l'aide de la fixation de montage (2). Serrez les écrous de montage (3) solidement à la main, puis serrez-les à l'aide de la clé fournie. Serrez ensuite les vis de blocage (5) à l'aide d'un tournevis Phillips.

2

**SOAP DISPENSER INSTALLATION
INSTALACIÓN DEL DISPENSADOR DEL JABÓN
INSTALLATION DE DISTRIBUTEUR DE SAVON**



Note: Soap dispenser not included with all models.

Remove nut (1). Separate head (2) from body (3). Insert body (3) and gasket (4) through selected hole in sink. Make sure gasket (4) is properly seated in the base. Secure body to sink with nut (1). From under the sink screw the bottle (5) onto the body assembly shank. Insert pump (6) into head (2), then drop into body (3). **NOTE: To fill, lift the head and pump assembly out of the bottle and pour not more than 8 oz. into bottle.** DO NOT remove bottle each time as this weakens the neck. Pull pump and head assembly out occasionally to soak and pump warm water through pump to remove soap build-up. **Note: Initially it may take up to 12 pumps to bring soap to the pump tip.**

Nota: Dispensador del jabón no incluir con todos los modelos.

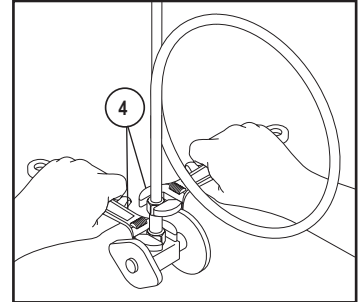
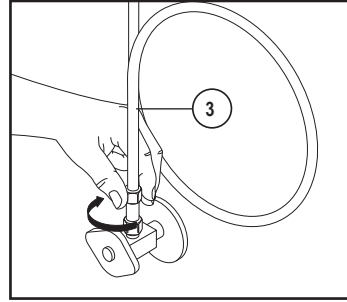
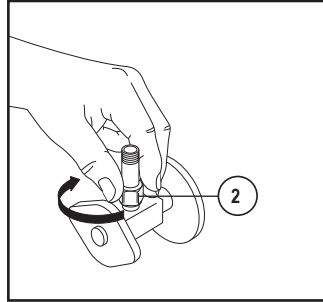
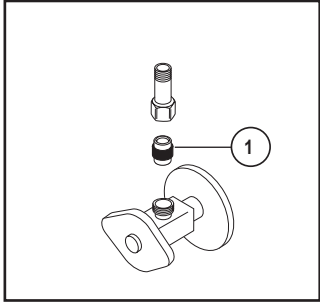
Quite la tuerca (1). Separe la cabeza (2) del cuerpo (3). Introduzca el cuerpo (3) y el empaque (4) a través del agujero seleccionado en el fregadero. Asegure que el empaque (4) esté apropiadamente sentado en la base. Fije el cuerpo al fregadero con la tuerca (1). Desde la parte interior del fregadero, atornille la botella (5) en el cuerpo del ensamble de la espiga. Introduzca la bomba (6) en la cabeza (2), y déjelo caer en el cuerpo (3). **NOTA: Para llenar, levante la cabeza y la bomba de la botella y vierta no más de 8 oz dentro de la botella.** NO saque la botella cada vez ya que esto debilitaría. Saque la bomba y al ensamblaje principal de vez en cuando para remojar y para bombear el agua caliente a través de la bomba para quitar la acumulación del jabón. **Nota:** Puede tomar inicialmente hasta 12 bombas para traer el jabón a la bomba.

Note : Distributeur de savon ne pas inclure avec tous les modèles.

Enlevez l'écrou (1). Séparez la tête (2) du corps (3). Introduisez le corps (3) le joint (4) dans le trou approprié de l'évier. Assurez-vous que le joint (4) est bien calé dans la base. Fixez le corps à l'évier avec l'écrou (1). Par le dessous de l'évier, vissez la bouteille (5) sur le manchon du corps. Introduisez la pompe (6) dans la tête (2), puis placez l'ensemble dans le corps (3). **NOTE : Pour remplir la bouteille, soulevez la tête avec la pompe.** Ne versez pas plus de 8 onces de liquide. ÉVITEZ d'enlever la bouteille à chaque fois pour ne pas affaiblir le goulot. Enlevez la tête avec la pompe à l'occasion et faites tremper l'ensemble dans l'eau chaude pour enlever les dépôts de savon. **Note :** Au commencement elle peut prendre à 12 pompes pour apporter le savon à la pompe.

3

Check Valve and Custom Fit Connection Installations Instalación de válvulas de retención y conexión a medida Installation des clapets et raccords sur mesure



NOTICE

Failure to follow these instructions may result in risk of property damage caused by leaking at this connection. Do not use pipe dope or other sealants on water line connections.

Important: To ensure proper operation of your plumbing it is essential to install these check valve assemblies onto your supply stops. If check valve does not fit stop, order RP63263 (see below).

1. Insert ferrule (1) into supply stop.
2. Thread on check valve (2) and tighten the nut with a wrench until secured. Repeat for other supply stop.
3. Loop tubing (3) if it is too long. **Note: Recommended tubing minimum bend diameter is 8".** Tighten the nut with a wrench until secured, while using a second wrench (4) to ensure you do not over tighten the check valves. Repeat for other supply stop. Turn on water, examine for leaks.

AVISO

El incumplimiento de estas instrucciones puede resultar en arriesgar dañar la propiedad causado por fugas en esta conexión. No utilice compuestos para tuberías ni otros selladores en las conexiones de las líneas de agua.

Importante: para asegurar el funcionamiento correcto de la tubería, es esencial instalar estos ensambles de válvulas de retención en los topes del suministro de agua. Si la válvula de retención no queda ajustada en el tope, ordene la pieza RP63263 (vea a continuación).

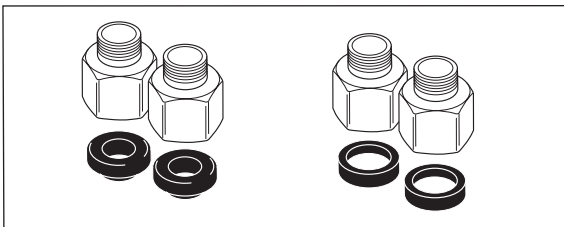
1. Inserte el casquillo (1) en el tope de suministro.
2. Enrosque la válvula de retención (2) y apriete la tuerca con una llave inglesa hasta que quede fija. Repita en el otro tope de suministro.
3. Enlace el tubo (3) si es demasiado largo. **Nota: El diámetro mínimo recomendado de la curvatura para la tubería es de 8".** Apriete la tuerca con una llave inglesa hasta que esté fija, mientras que usa una segunda llave (4) para asegurarse de no apretar demasiado las válvulas de retención. Repita con el otro tope de suministro. Abra el agua, examine para detectar fugas.

AVIS

L'omission de respecter ces instructions pourrait entraîner des dommages matériels causés par une fuite de ce raccord. N'utilisez pas de pâte lubrifiante ni d'autres produits d'étanchéité sur les raccords de cette conduite d'eau.

Important : Pour garantir le bon fonctionnement de votre tuyauterie, vous devez absolument installer ces clapets de non-retour sur vos robinets d'alimentation. Si le clapet de non-retour n'est pas compatible avec le robinet d'alimentation, commandez la trousse RP63263 (se reporter ci-dessous).

1. Introduisez la virole (1) dans le robinet d'alimentation.
2. Vissez le clapet de non-retour (2) et serrez l'écrou avec une clé jusqu'à ce qu'il soit bien immobilisé. Faites la même chose pour l'autre robinet d'alimentation.
3. Cintrez le tube (3) s'il est trop long. **Note : Le diamètre de cintrage minimal recommandé est de 8 po.** Serrez l'écrou avec une clé jusqu'à ce qu'il soit bien immobilisé tout en utilisant une deuxième clé (4) pour éviter de serrer le clapet de non-retour excessivement. Faites la même chose pour l'autre robinet d'alimentation. Rétablissez l'alimentation en eau et vérifiez l'étanchéité.

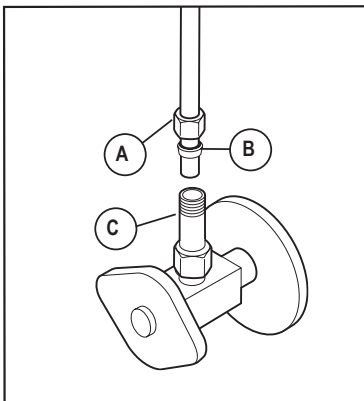


Order **RP63263** adapters for 1/2"-20 UN or 1/2"-14 NPSM stops.

Ordene los **adaptadores RP63263** para los topes de 1/2"-20 UN ó 1/2"-14, estándar NPSM.

Commandez les **adaptateurs RP63263** pour les robinets 1/2 po - 20 à filetage UN ou 1/2 po - 14 à filetage NPSM.

Custom Fit Connections



NOTICE

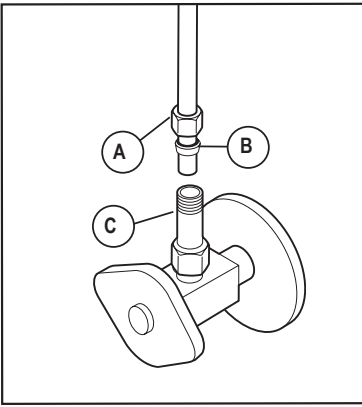
To avoid risk of property damage, Follow instructions for proper installation. If you determine the PEX supply tubing for this faucet is too long and must be shorter to create an acceptable installation, be sure to read the instructions and plan ahead. When cutting the supply tubing the installer accepts the responsibility to do so in a way that allows a leak-free joint to be created. Delta is not responsible for tubing that is cut too short or cut in a way that will not allow for a leak-free joint. **DO NOT** use a metal sleeve (ferrule) or gasket (supplied with faucet) in place of the plastic sleeve (ferrule) supplied, it may not create a leak-free joint. Do not use pipe dope or other sealants on water line connections.

For custom fit installations, you must use plastic sleeves (ferrules) supplied with model and nuts included on supply lines. **Tube cut must be straight.** Slide nut (A) over plastic sleeve (ferrule) (B). Start nut by hand onto check valve connection (C) to prevent cross-threading. Turn nut until it feels snug. Then tighten nut at least 2 more turns with a wrench. Repeat for other supply line. Turn on water, examine for leaks.

Potential Problems and Remedies

- **Tubing is not cut perpendicular to the axis of the tube:** carefully make an additional cut, being careful not to cut the tube too short.
- **Tubing is cut too short:** buy a coupling union and a replacement supply line that mate together from a store. The coupling union end intended to connect to the faucet must mate to the standard 3/8" connection nuts and plastic sleeves (ferrules) supplied with the faucet.
- **The plastic sleeve (ferrule) or connection nut is lost:** purchase a replacement nut and/or plastic sleeve (ferrule) that are designed to seal with PEX tubing.

Conexiones Especiales



AVISO

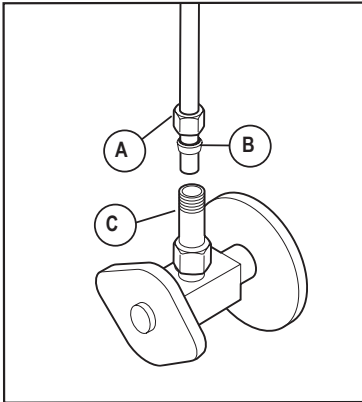
Para evitar el riesgo de daños a la propiedad, siga las instrucciones para una instalación adecuada. Si determina que el tubo de suministro de PEX para esta llave es demasiado largo y debe ser más corto para crear una instalación aceptable, asegúrese de leer las instrucciones y planifique con anticipación. Al cortar el tubo de suministro el instalador acepta la responsabilidad de hacerlo de una manera que permita crear una junta sin fugas. Delta no se hace responsable de la tubería que se corta demasiado corta o de una manera que no permita una junta libre de fugas. **NO use un manguito de metal (casquillo) o empaque (suministrado con el grifo) en lugar del manguito plástico (casquillo) suministrado, pueda no crear una junta sin fugas. No use lubricante para tuberías ni otros selladores en las conexiones de la línea de agua.**

Para instalaciones a la medida, debe usar manguitos plásticos (casquillos) suministrados con el modelo y las tuercas incluidas en las líneas de suministro. **El corte del tubo debe ser recto.** Deslice la tuerca (A) sobre el manguito plástico (casquillo) (B). Primero comience a ajustar la tuerca a mano en la conexión de la válvula de retención (C) para evitar que se entrecruce. Gire la tuerca hasta que se sienta ajustada. Then tighten nut at least 2 more turns with a wrench. Repeat for other supply line. Turn on water, examine for leaks. Luego apriete la tuerca por lo menos 2 vueltas más con una llave inglesa. Repita en la otra línea de suministro. Abra el agua, examine para detectar si hay fugas.

Averías potenciales y remedios

- **Si el tubo no se corta perpendicular al eje del tubo:** con cuidado haga un corte adicional, teniendo cuidado de no cortar el tubo demasiado corto.
- **Si la tubería se corta demasiado corta:** compre en una tienda una unión de acoplamiento y una línea de suministro de repuesto que se acoplen. El extremo de la unión del acoplamiento destinado a conectarse a la llave de agua/grifo debe acoplarse con las tuercas de conexión de 3/8" estándar y los manguitos plásticos (casquillos) suministrados con la llave de agua.
- **Si el manguito plástico (casquillo) o la tuerca de conexión se pierde:** compre una tuerca de repuesto y/o manguito plástico (casquillo) que estén diseñados para sellar con tubería PEX.

Branchements Spéciaux



AVIS

Pour éviter les risques de dommages matériels, respectez les instructions d'installation. Si vous constatez que le tube d'alimentation en PEX pour ce robinet est trop long et vous devez le sectionner pour effectuer une installation acceptable, prenez soin de lire les instructions et de prévoir le coup. L'installateur qui sectionne le tube d'alimentation a la responsabilité de le faire d'une manière qui permettra la réalisation d'un joint étanche. Delta se dégage de toute responsabilité dans l'éventualité où le tube sectionné serait trop court ou ne permettrait pas la réalisation d'un joint étanche. **N'UTILISEZ PAS le manchon métallique (virole) ou le joint plat (fourni avec le robinet) à la place du manchon de plastique (virole) fourni. Le raccord pourra fuir. N'utilisez pas de pâte lubrifiante ni d'autres produits d'étanchéité sur les raccords de la tuyauterie.**

Pour les installations sur mesure, vous devez utiliser les manchons en plastique (viroles) fournis avec le modèle et les écrous qui se trouvent sur les tubes d'alimentation. **Le tube doit être sectionné perpendiculairement à son axe.** Glissez l'écrou (A) sur le manchon en plastique (virole) (B). Amorcez l'écrou à la main sur le raccord du clapet de non-retour (C) pour ne pas risquer d'abîmer les filets. Tournez l'écrou jusqu'à ce qu'il soit bien appuyé. Faites ensuite au moins 2 tours supplémentaires à l'aide d'une clé. Faites la même chose pour l'autre tube d'alimentation. Rétablissez l'alimentation en eau et vérifiez l'étanchéité.

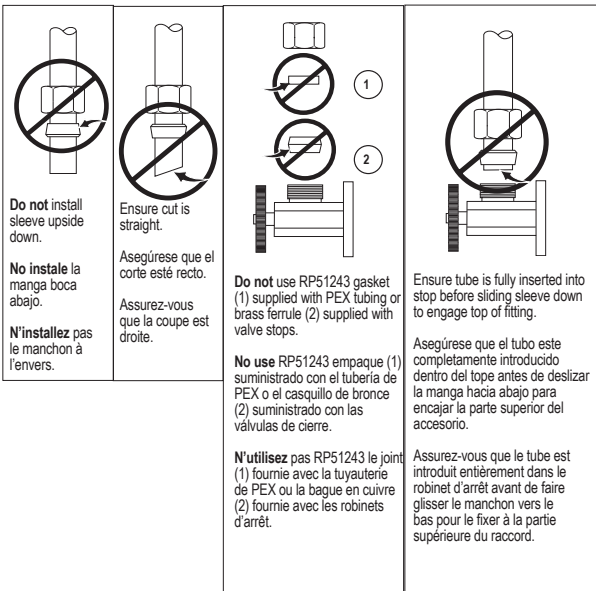
Problèmes et solutions possibles

- **Le tube n'est pas coupé perpendiculairement à l'axe du tube :** sectionnez le tube de nouveau minutieusement en vous assurant qu'il ne sera pas trop court.
- **Le tube a été sectionné et il est trop court :** achetez un raccord-union et un tube d'alimentation de rechange. L'extrémité du raccord-union doit être compatible avec les écrous de raccordement de 3/8 po et les manchons en plastique (viroles) fournis avec le robinet.
- **Le manchon en plastique (virole) ou l'écrou de raccordement a été perdu :** achetez un écrou et/ou un manchon en plastique (virole) conçus pour assurer l'étanchéité avec un tube en PEX.

NOTICE

Failure to use plastic sleeve (ferrule) in the correct orientation will result in disconnection and possible water damage.

1. Determine desired length of supply tube (1). Leave 1" or 2" of extra length to allow for easier installation and cut tube. Ensure cut is straight and burr free.
2. Slide nut (2) and plastic sleeve (ferrule) (3) onto cut supply tube. Ensure plastic sleeve (ferrule) is oriented as shown.
3. Insert supply tube into supply valve connection (4). Supply tube should touch bottom of hole inside supply valve.
4. Slide plastic sleeve (ferrule) down supply tube until it contacts the supply valve connection.
5. Slide nut over plastic sleeve (ferrule). Start nut by hand to prevent cross-threading. Turn nut until it feels snug. Then tighten nut at least 2 more turns with a wrench. Repeat for other supply line. Turn on water, examine for leaks.



AVISO

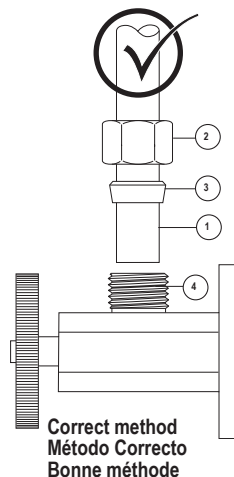
Si no utiliza el manguito plástico (casquillo) en la orientación correcta resultará en la desconexión y el posible daño por agua.

1. Determine el largo deseado del tubo de suministro (1). Agregue 1" ó 2" de más para permitir una instalación más fácil y corte el tubo. Asegúrese que el corte es recto y sin rebabas.
2. Deslice la tuerca (2) y el manguito plástico (casquillo) (3) en el tubo cortado de suministro. Asegúrese el manguito plástico (casquillo) está orientado, como se muestra.
3. Introduzca el tubo de suministro en la conexión de la válvula de suministro (4). El tubo de alimentación debe tocar el fondo del agujero dentro de la válvula de suministro.
4. Deslice el manguito plástico (casquillo) por el tubo de suministro hasta que tenga contacto con la conexión de la válvula de suministro. **AVISO: Si no utiliza el manguito plástico (casquillo) en la orientación correcta resultará en la desconexión y el posible daño por agua.**
5. Deslice la tuerca sobre el manguito plástico (casquillo). Coloque la tuerca a mano para evitar que se entrecruce. Gire la tuerca hasta que se sienta ajustada. Luego apriete la tuerca por lo menos 2 vueltas más con una llave de tuercas. Repita con la otra línea de suministro. Abra el agua, examine para detectar fugas.

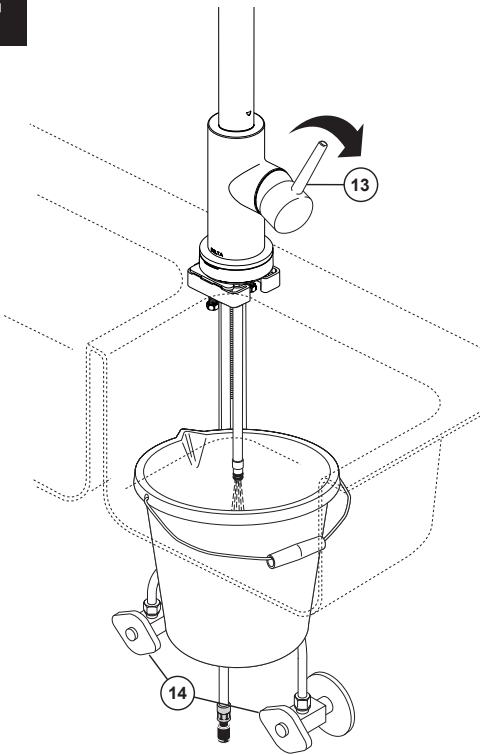
AVIS

Si le manchon en plastique (bague) n'est pas installé correctement, le raccord peut se défaire et occasionner un dégât d'eau.

1. Coupez le tube d'alimentation (1) à la longueur désirée. Laissez 1 à 2 pouces de jeu pour faciliter l'installation. Faites une coupe d'équerre et enlevez les bavures.
2. Glissez l'écrou (2) et le manchon en plastique (bague) (3) sur le tube d'alimentation coupé. Assurez-vous que le manchon en plastique est orienté comme le montre la figure.
3. Introduisez le tube d'alimentation dans le raccord du robinet d'alimentation (4). Le tube doit toucher le fond du trou à l'intérieur du raccord du robinet d'alimentation.
4. Faites glisser le manchon en plastique (bague) dans le tube jusqu'à ce qu'il entre en contact avec le raccord du robinet d'alimentation.
5. Glissez l'écrou sur le manchon en plastique (virole). Amorcer l'écrou à la main pour ne pas risquer de foirer les filets. Tournez l'écrou jusqu'à ce qu'il soit appuyé. Faites ensuite au moins deux tours supplémentaires avec une clé. Branchez l'autre tube d'alimentation de la même manière. Rétablissez l'alimentation en eau et vérifiez l'étanchéité.



4



Flush Supply Lines

Because your sprayer has been factory assembled to the hose, we do not recommend removing to flush the lines. Instead, if possible, we recommend placing a bucket below the outlet fitting and one of two options.

1. With the valve in mix open position (13), slowly open and close the supply stops (14).
2. With the supply stops open (14), slowly open and close the handle in the mix position (13).

This will prevent debris from being lodged in the hose and sprayer.

Deje correr el agua por las tuberías de suministro

Debido a que el rociador se ha ensamblado a la manguera en la fábrica, no recomendamos quitarlo para limpiar las tuberías/líneas. En cambio, si es posible, recomendamos colocar una cubeta debajo de la conexión de salida y una de las dos siguientes opciones.

1. Con la válvula en posición mixta (13), lentamente abra y cierre las llaves de paso (14).
2. Con las llaves de paso abiertas (14), lentamente abra y cierre la manija en la posición mixta (13).

Esto evitará que residuos permanezcan en la manguera y en el rociador.

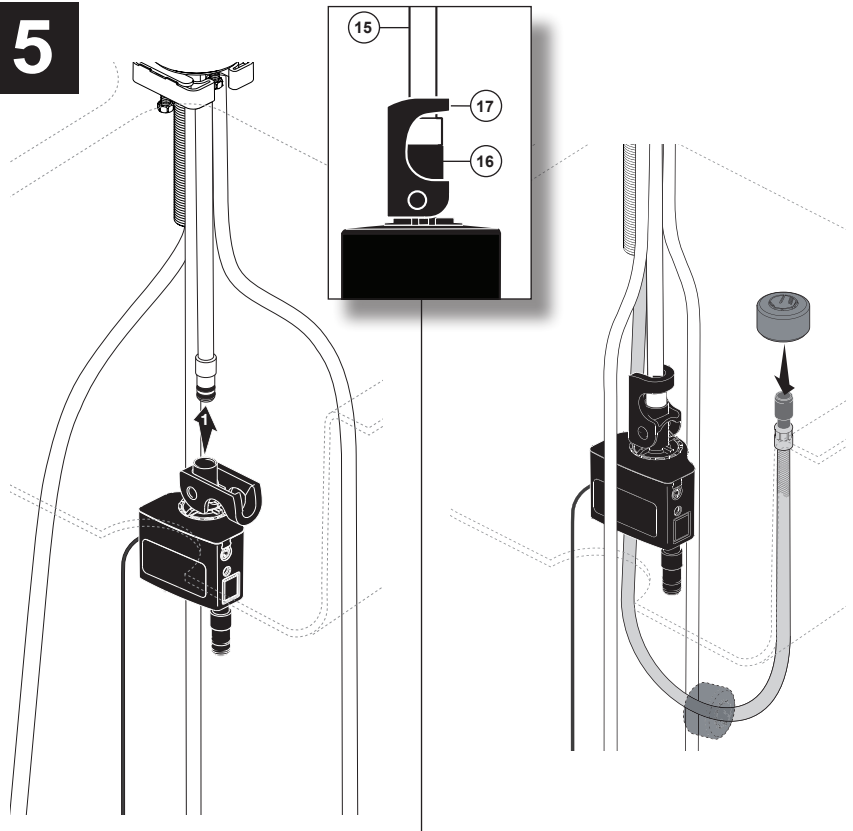
Rincez les tuyaux d'alimentation

Étant donné que le pulvérisateur a été fixé au tuyau souple en usine, nous vous déconseillons de l'enlever pour rincer les tuyaux d'alimentation. Nous vous recommandons plutôt de placer, dans la mesure du possible, un seau sous le raccord de sortie et d'employer l'une des deux solutions suivantes :

1. Alors que la soupape est en position de mélange (13), ouvrez les robinets d'arrêt lentement (14), puis refermez-les.
2. Alors que les robinets d'arrêt sont ouverts (14), amenez la manette doucement en position de mélange (13), puis ramenez-la en position de fermeture.

Cette opération sert à évacuer les corps étrangers qui pourraient se trouver dans le tuyau souple et le pulvérisateur.

5



Solenoid Installation

Slide tube (15) into the top solenoid nipple (16). Rotate clip (17) over tube and nipple to secure connection. Pull down moderately to ensure the connection has been made. Slide hose weight over end of hose.

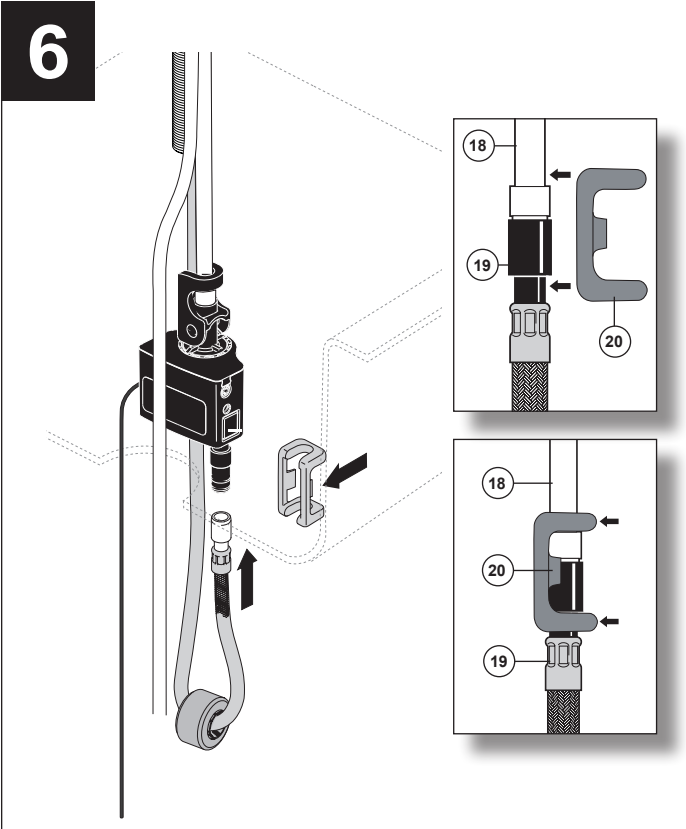
Instalación del solenoide

Deslice el tubo (15) en la boquilla del solenoide superior (16). Gire el gancho (17) sobre el tubo y la boquilla para asegurar la conexión. Tire hacia abajo moderadamente para asegurar que la conexión se hizo. Deslice el peso de la manguera sobre el extremo de la manguera.

Installation de l'électrovanne

Glissez le tube (15) dans le raccord supérieur de l'électrovanne (16). Tournez l'agrafe (17) sur le tube et le raccord pour solidariser les éléments. Tirez modérément sur le tube pour vous assurer qu'il est bien branché.

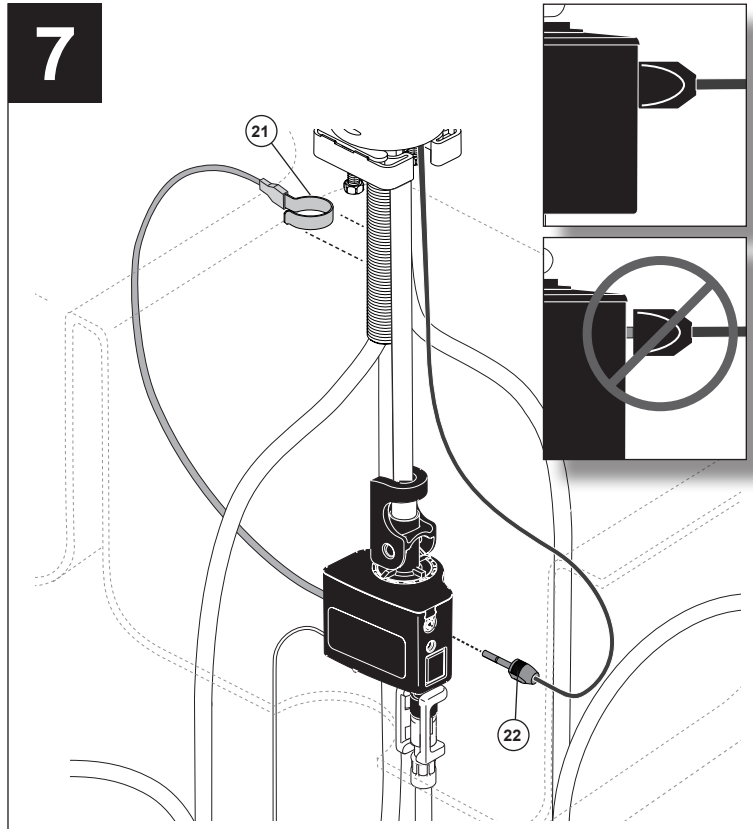
Glissez la masselotte sur l'extrémité du tuyau souple.



Push hose end (19) onto solenoid assembly outlet (18). Attach clip (20) over hoses as shown. Pull down moderately to ensure connection has been made.

Empuje el extremo de la manguera (19) en la salida de las piezas del solenoide (18). Sujete el gancho (20) sobre las mangueras como se muestra. Tire hacia abajo moderadamente para asegurarse de que la conexión se ha hecho.

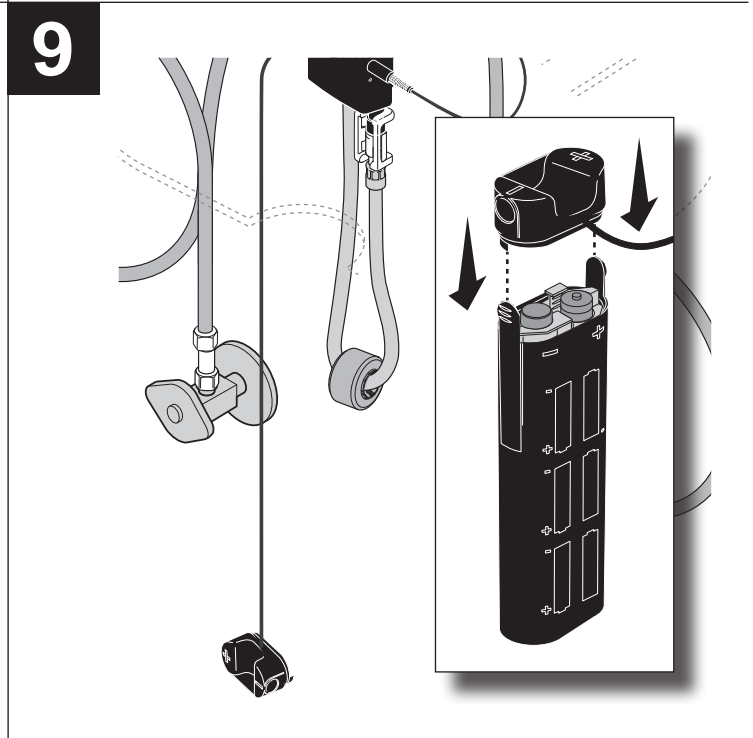
Poussez l'extrémité du tuyau souple (19) sur la sortie de l'électrovanne (18). Fixez l'agrafe (20) sur le tuyau comme le montre la figure. Tirez modérément sur le tuyau pour vous assurer qu'il est bien branché.



Push clip (21) onto shank as shown to ensure clip is tight onto shank. Ensure LED wire (22) is properly pushed in to solenoid. Make sure wire extends away from solenoid. For proper functionality DO NOT tie, twist or bunch the wires.

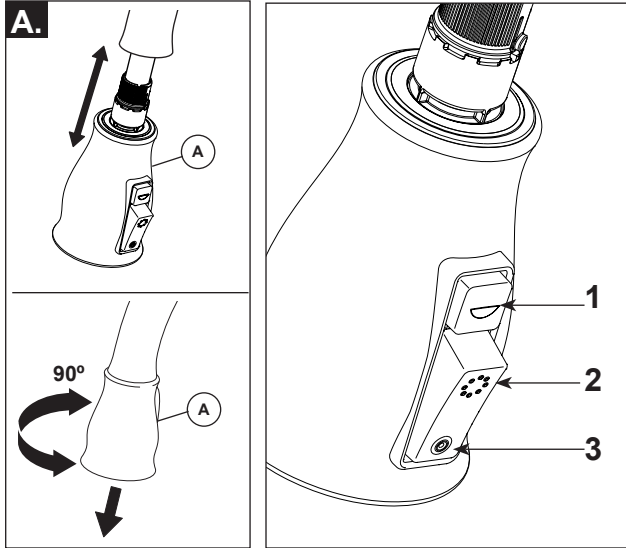
Empuje el gancho (21) en la espiga como se muestra para asegurar que el gancho quede apretado en la espiga. Asegúrese de que el cable LED (22) esté correctamente introducido en el solenoide. Asegúrese de que el cable se extienda lejos del solenoide. Para obtener una funcionalidad adecuada NO ate, tuerza o agrupe los cables.

Poussez l'agrafe (21) sur le manchon fileté de la manière indiquée pour qu'elle soit fixée solidement sur le manchon. Assurez-vous que la fiche du câble du voyant à DEL (22) est introduite à fond dans l'électrovanne. Pour que le voyant fonctionne bien, ÉVITEZ d'attacher ou torsader les fils ou de les mettre en paquet.



10

For Models With 3 Function Wand En los Modelos con Mango de 3 Funciones Pour les modèles munis d'une Poignée à 3 Fonctions



A. Sprayer will lock into position when brought into proximity of the spout magnet. The sprayer can be removed by either pulling directly out from the spout or by twisting 90° in either direction which will cause the magnets to repel and the head to decouple from the spout (recommended).

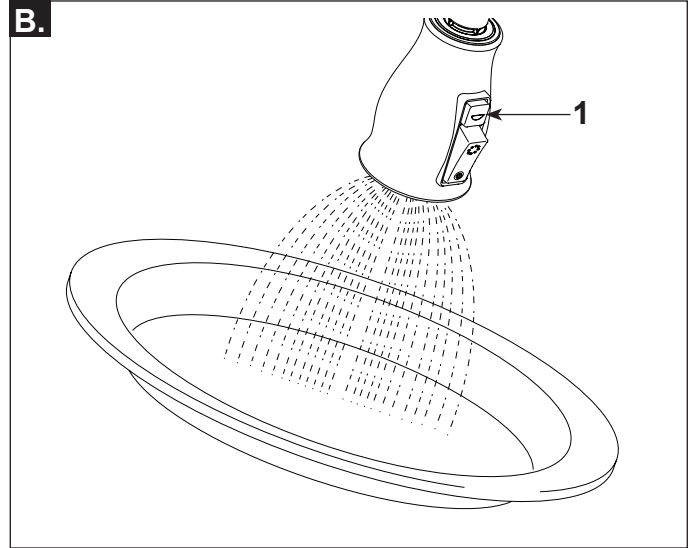
Check the operation of the 2 function sprayer by pushing the trigger (A) from aerator to spray. For models with a 3 function sprayer, check the operation by pushing the buttons to achieve the 3 different modes.

Button 1 - ShieldSpray/Proclean Mode

Button 2 - Spray Mode

Button 3 - 1.8 gpm at 60 psi Maximum Aerator

Note - 3 Function Sprayer returns to position 3 when button 1 is released.



B. With the wand undocked, press **button 1** to use the ShieldSpray/Proclean mode. Hold the plate 1/2 way through the bubble.

For optimal performance, use in households with water pressure above 35 psi. The shieldspray feature may appear different at lower water pressures.

Tip: Don't press the wand button while the wand is docked to the spout. Undock the wand and place close to plate when using the ShieldSpray mode.

A. El mango del rociador se bloqueará en su posición cuando se pone en la proximidad del imán del surtidor. El rociador se puede retirar halándolo directamente de la llave de agua o girándolo 90° en cualquier dirección que hará que los imanes que se repelen y la cabeza de desenganche del surtidor (recomendado).

Examine el funcionamiento del mango de 2 funciones pulsando el gatillo (A) de aireador para rociador. Para los modelos con un mango de 3 funciones, examine el funcionamiento pulsando los botones para lograr los 3 modos diferentes.

Botón 1 – Configuración ShieldSpray/Proclean

Botón 2 – Configuración de rocío

Botón 3 – 1.8 gpm a 60 psi Aireador Máximo

Nota – Mango de 3 funciones: La función de rocío vuelve a la posición 3 cuando se suelta el botón.

B. Con el mango desacoplado, presione el **botón 1** para usar la configuración del rocío ShieldSpray/Proclean.

Sostenga el plato en media burbuja protectora.

Para un rendimiento óptimo, use en hogares donde la presión del agua esté por encima de 35 psi. La característica shieldspray puede aparecer diferente si la presión de agua es menor.

Sugerencia: no presione el botón mientras que está acoplado – siempre acerque el plato.

A. La poignée du bec se bloque en place lorsqu'elle arrive à proximité de l'aimant du bec. Vous pouvez enlever la tête de pulvérisation en tirant directement sur celle-ci. Vous pouvez aussi la faire pivoter de 90° dans un sens ou dans l'autre; les aimants se repousseront et la tête de pulvérisation se séparera du bec (méthode recommandée).

Vérifiez le fonctionnement de la poignée du bec à 2 fonctions en poussant sur la détente (A) pour passer du mode d'aération au mode de pulvérisation. Sur les modèles munis d'une poignée de bec à 3 fonctions, vérifiez le fonctionnement en poussant sur les boutons pour obtenir les trois modes d'écoulement différents.

Bouton 1 - Mode ShieldSpray/Proclean

Bouton 2 - Mode de pulvérisation

Bouton 3 - Aérateur 1,8 gal/min maximum à 60 lb/po2

Note - La douchette à 3 fonctions: retourne à la position 3 lorsque vous relâchez le bouton 1.

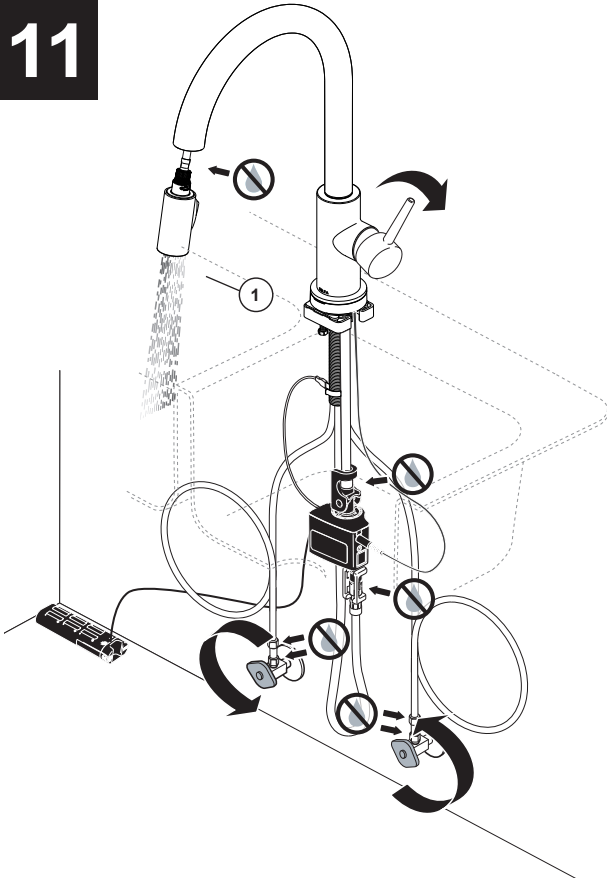
B. Lorsque la poignée de la doucette est déverrouillée, enfoncez le **bouton 1** pour utiliser le mode ShieldSpray/Proclean.

Tenez l'assiette à mi-chemin dans la bulle.

Pour que la performance soit optimale, la pression d'eau doit être supérieure à 35 lb/po2. Le jet ShieldSpray peut être différent à des pressions d'eau plus faibles.

Conseil : N'enfoncez pas le bouton lorsque la douchette est dans son logement. Approchez toujours la douchette de l'assiette.

11



Important: Place batteries in holder, secure cap and lay on cabinet floor as shown in Step 11.

Check for Leaks

Check all connections at arrows for leaks. Refer back to the appropriate installation instructions and retighten if necessary. If assembled correctly and still leaking, check for damage to seals and order appropriate replacements.

The sprayer can be removed by pulling directly out from the spout. Check the operation of the sprayer by operating the trigger (1) from aerator to spray.

Importante: Coloque las pilas en el soporte, fije el tapón y colóquelo en el piso del gabinete como se muestra en el Paso 11.

Revise si hay fugas

Examine los sitios con las flechas en las conexiones para asegura que no hay ninguna filtración de agua. Si es necesario, guíese por las instrucciones apropiadas para la instalación y apriete otra vez. Si están ensamblado correctamente, fíjese si los sellos están dañados y ordene las piezas de repuesto apropiadas.

El rociador se puede sacar halando directamente hacia afuera del surtidor. Examine el funcionamiento del rociador operando el gatillo (1) del aireador al rociador.

Important : Placez les piles dans leur logement, fixez le couvercle et placez le logement de piles sur le plancher de l'armoire comme le montre la figure de l'étape 11.

Vérifiez l'étanchéité.

Vérifiez l'étanchéité de tous les raccords aux endroits indiqués par les flèches. Consultez les instructions d'installation et serrez les raccords de nouveau au besoin. Si le raccord est monté correctement, vérifiez l'état des joints et commandez les pièces de rechange nécessaires.

Pour enlever le pulvérisateur, tirez sur celui-ci directement pour l'écarter du bec. Vérifiez le fonctionnement de la douchette en actionnant la gâchette (1) pour passer du mode aération au mode pulvérisation.

Quick Tips for your Delta® Touch₂O® Technology Kitchen Faucet.

1. Operation is simple! With the handle in the "on" position tap anywhere on the spout, base, or handle.
2. The faucet is able to tell the difference between a touch and a grab. So it won't turn on and off when you don't want it to.
3. Use the handle to control temperature and volume for both manual and electronic operation.
4. Whether you grab the handle or tap it, water will flow. Once water is flowing, a tap will turn it off.
5. Auto Shut-off—the faucet will automatically shut off after running for 4 minutes.

LED Guide

If LED is:

Solid Blue - Solenoid valve is open, water temperature is less than 80°F (27°C).

Solid Magenta - Solenoid valve is open, water temperature is between 80°F (27°C) and 110°F (43°C).

Solid Red - Solenoid valve is open, water temperature is greater than 110°F (43°C).

3 red flashes before solenoid opens or closes - replace batteries.

Sugerencias rápidas para su llave de agua/grifo Delta® Touch₂O® Technology para la cocina

1. ¡El funcionamiento es sencillo! Con la manija en la posición "on" (abierto) toque cualquier lugar del surtidor, base, o manija.
2. La llave de agua/grifo es capaz de diferenciar entre contacto y un agarre. Por lo tanto, no se abrirá o cerrará cuando usted no lo desea.
3. Utilice la manija para controlar la temperatura y el volumen para operar manualmente y electrónicamente.
4. Si agarra la manija o solo la toca, el agua fluirá. Una vez que el agua está fluyendo, al tacto la cerrará.
5. Cierre automático – la llave de agua/grifo se cerrará automáticamente después de fluir durante 4 minutos.

Guía del LED

Si el LED es:

Azul sólido - La válvula solenoide está abierta, la temperatura del agua es menos de 27° C (27° C).

Magenta sólido - La válvula solenoide está abierta, la temperatura del agua está entre 27° C y 110° F (43° C).

Rojo sólido - La válvula solenoide está abierta, la temperatura del agua está a más de 110° F (43° C).

3 destellos en rojo antes de abrir o cerrar el solenoide - reemplace las pilas.

Conseils concernant votre robinet d'évier de cuisine Delta® doté de la technologie Touch₂O®

1. Son fonctionnement est simple! Placez la manette à la position d'ouverture et tapez n'importe où sur le bec, la base ou la manette.
2. Le robinet ne réagit pas de la même manière lorsque vous l'effleurez ou le saisissez. Par conséquent, vous ne risquez pas de l'ouvrir ou de le fermer sans le vouloir.
3. Utilisez la manette pour contrôler la température et le débit d'eau, tant en mode manuel qu'en mode électronique.
4. L'eau s'écoule, peu importe si vous saisissez la manette ou si vous tapez sur celle-ci légèrement. L'eau cesse de s'écouler lorsque vous tapez légèrement la manette de nouveau.
5. Fermeture automatique — le robinet se ferme automatiquement après 4 minutes.

Guide d'interprétation des couleurs du voyant à DEL

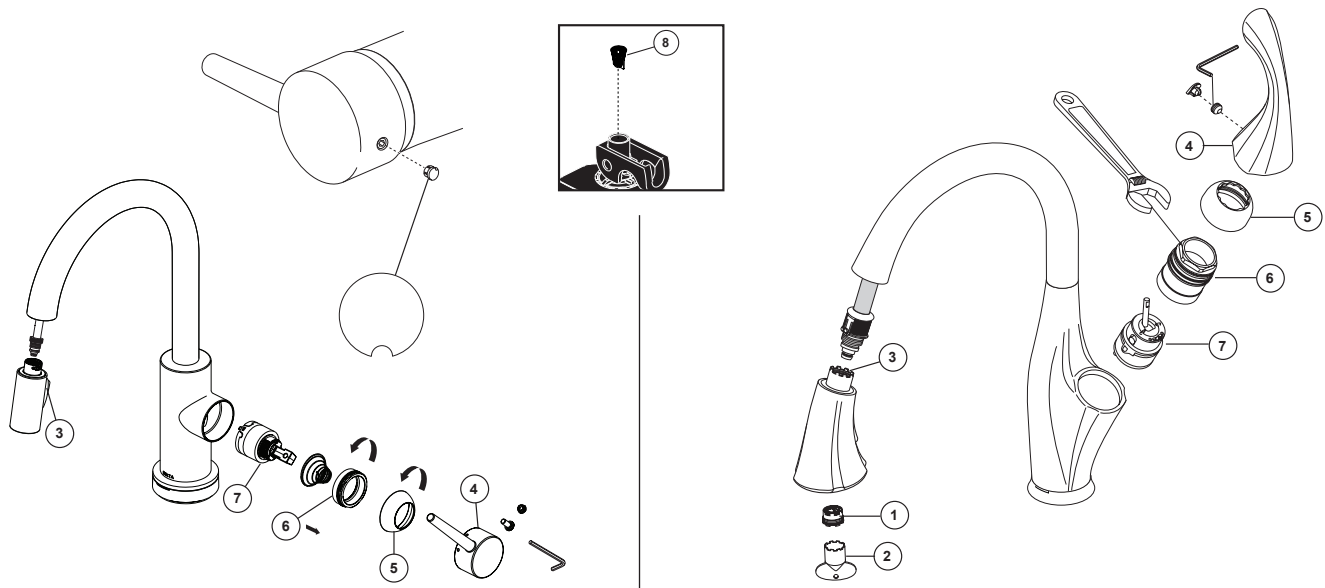
Si le voyant à DEL est au :

Bleu fixe - L'électrovanne est ouverte et la température de l'eau est inférieure à 80 °F (27 °C).

Magenta fixe - L'électrovanne est ouverte et la température de l'eau se situe entre 80 °F (27 °C) et 110 °F (43 °C).

Rouge fixe - L'électrovanne est ouverte et la température de l'eau est supérieure à 110 °F (43 °C).

Voyant rouge clignotant à trois reprises avant l'ouverture ou la fermeture de l'électrovanne - remplacez les piles.



Maintenance

If faucet exhibits very low flow

- A. Remove and clean aerator (1) (**Note: some models require wrench (2) to remove aerator.**), or
- B. Unscrew hose from spray head and clean debris from screen - the screen is located just inside the spray (3). **Note: Not all spray heads have a screen.**
- C. Remove and clean blue filter (8) inside solenoid valve. **Note: Use needle nose pliers or tweezers to remove and replace filter (8).**

IMPORTANT: Reinstall aerator to the spray head. (Failure to reinstall the aerator could damage internal parts.)

If faucet leaks from under handle: Remove handle (4) and cap (5). Using a wrench, ensure bonnet nut (6) is tight.

If leak persists—SHUT OFF WATER SUPPLIES. Replace valve cartridge (7). When reinstalling parts, make sure bonnet nut (6) is tightened securely with a wrench.*

If faucet leaks from spout outlet—SHUT OFF WATER SUPPLIES. Replace valve cartridge (7). When reinstalling parts, make sure bonnet nut (6) is tightened securely with a wrench.*

* **WARNING: Failure to securely tighten bonnet nut with a wrench could result in water damage.**

Note: A small amount of water may run out the spout or drip for a very short period after the faucet is shut off. This is a natural occurrence caused by the long flexible hose.

Note: Do not attempt to disassemble cartridge (7). There are no repairable parts inside.

Mantenimiento

Si la llave muestra un flujo muy bajo:

- A. Quite y limpie el aireador (1) (**Nota: algunos modelos requieren una llave de tuercas (2) para sacar el aireador.**), o
- B. Destornille la manguera de la cabeza del rociador y limpie los escombros de la rejilla (la rejilla está dentro de la cabeza del rociador) (3). **Nota: No todas las cabezas de rociadores tienen una rejilla.**
- C. Retire y limpie el filtro azul (9) dentro del solenoide. **Nota: Utilice tenacillas o pinzas de punta de aguja para quitar y reemplazar el filtro (9).**

IMPORTANTE: Instale la aireador otra vez dentro de la cabeza del rociador (si no la reinstala podría dañar las partes internas).

Si la llave de agua tiene una filtración por debajo de la manija: Quite la manija (4) y casquillo (5). Usando una llave de tuercas, asegúrese que la tuerca tapa (6) esté apretada.*

Si la filtración persiste – CIERRE LOS SUMINISTROS DE AGUA. Cambie el cartucho de la válvula (7). Usando una llave de tuercas, asegúrese que la tuerca tapa (6) esté apretada.*

Si la llave de agua tiene una filtración desde la salida del surtidor – CIERRE LOS SUMINISTROS DE AGUA. Cambie el cartucho de la válvula (7). Usando una llave de tuercas, asegúrese que la tuerca tapa (6) esté apretada.*

* **AVISO: Si no aprieta fijamente la tuerca tapa con una llave de tuercas pudiera resultar en daño por agua.**

Nota: Una cantidad pequeña de agua puede escurrirse del surtidor o gotear por un período corto de tiempo después de cerrar el agua.

Nota: No intente desmontar el cartucho (7). No hay piezas reparables en el interior.

Entretien

Si le débit du robinet est très faible:

- A. Enlevez et nettoyez l'aérateur (1) (**Note : sur certains modèles, il faut utiliser la clé (2) pour enlever l'aérateur.**); ou
- B. Dévissez le tuyau, retirez le du bec-douchette et nettoyez le filtre en toile métallique (à l'intérieur du bec-douchette) (3). **Note : Les têtes de pulvérisation n'ont pas toutes un filtre métallique.**
- C. Enlevez et nettoyez le filtre bleu (9) situé à l'intérieur de l'électrovanne. **Note : Utilisez une pince à bec effilé ou une pince à sourcils pour enlever le filtre (9) et le remettre en place.**

IMPORTANT – Remettez le aérateur en place. L'absence du aérateur peut entraîner l'endommagement des éléments internes.

Si le robinet fuit par le dessous de la manette : Enlevez la manette (4) et embase (5). À l'aide d'une clé, assurez-vous que l'écrou-chapeau (6) est serré.*

Si la fuite persiste, COUPEZ L'ARRIVÉE D'EAU. Remplacez la cartouche de la soupape (7). Usando una llave de tuercas, asegúrese que la tuerca tapa (6) esté apretada.*

Si le robinet fuit par la sortie du bec, COUPEZ L'ARRIVÉE D'EAU. Remplacez la cartouche (7). Usando una llave de tuercas, asegúrese que la tuerca tapa (6) esté apretada.*

* **MISE EN GARDE : L'omission de bien serrer l'écrou-chapeau peut entraîner une fuite d'eau et des dommages.**

Note : Un peu d'eau peut s'écouler du bec ou dégoutter pendant une très courte période après la fermeture du robinet. Cela est normal en raison de la longueur du flexible.

Note : N'essayez pas de démonter la cartouche (7). Il n'y a aucune pièce réparable à l'intérieur.

Limited Warranty on Delta® Faucets

Parts and Finish: All parts (other than electronic parts and batteries) and finishes of Delta® faucets purchased from authorized Delta sellers are warranted to the original consumer purchaser to be free from defects in material and workmanship for as long as the original consumer purchaser owns the home in which the faucet was first installed. For commercial purchasers, (a) the warranty period is ten (10) years for multi-family residential applications and (b) five (5) years for all other commercial applications, in each case from the date that the product is received by the original purchaser or their authorized representative (installation contractor, etc.). For purposes of this warranty, the term "multi-family residential application" refers to the purchase of the faucet from an authorized Delta seller by a purchaser who owns but does not live in the residential dwelling in which the faucet is initially installed, such as in a rented or leased single unit or multi-unit detached home (duplex or townhome), or a condominium, apartment building or community living center. The following installations are not considered multi-family residential applications, are excluded from the 10-year warranty and are subject to the 5-year warranty: industrial, institutional or other business premises, such as a dormitory, hospitality premises (hotel, motel or extended stay location), airport, educational facility, long- or short-term healthcare facility (hospital, rehabilitation center, nursing, assisted or staged-care living unit), public space or common area.

Parts and Finish for Delta® Recertified Faucets: Delta Faucet Company offers for sale online Delta® Recertified faucets. Delta® Recertified faucets only include faucets that have been certified as such by Delta Faucet Company. All parts (other than electronic parts and batteries) and finishes of these Delta® Recertified faucets are warranted to the original consumer purchaser to be free from defects in material and workmanship for ten (10) years from the date that the product is received by the original purchaser or their authorized representative (installation contractor, etc.). For commercial purchasers, the warranty period is one (1) year from the date that the product is received by the original purchaser or their authorized representative (installation contractor, etc.).

Electronic Parts: Electronic parts (other than batteries), if any, of Delta® faucets purchased from deltafaucet.com or authorized Delta sellers are warranted to the original consumer purchaser to be free from defects in material and workmanship for five (5) years from the date that the product is received by the original purchaser or their authorized representative (installation contractor, etc.) or, for commercial purchasers, for one (1) year from the date that the product is received by the original purchaser or their authorized representative (installation contractor, etc.). No warranty is provided on batteries.

What We Will Do: Delta Faucet Company will repair or replace, free of charge, during the applicable warranty period (as described above), any part or finish that proves defective in material and/or workmanship under normal installation, use and service. Delta Faucet Company may, in its sole discretion, use new, refurbished or recertified parts or products for such repair or replacement. If repair or replacement is not practical, Delta Faucet Company may elect to refund the purchase price in exchange for the return of the product. **These are your exclusive remedies.**

What is Not Covered: Because Delta Faucet Company is unable to control the quality of Delta products sold by unauthorized sellers, unless otherwise prohibited by law, this warranty does not cover Delta products purchased from unauthorized sellers.

Any labor charges incurred by the purchaser to repair, replace, install or remove this product are not covered by this warranty. Delta Faucet Company shall not be liable for any damage to the faucet resulting from reasonable wear and tear, outdoor use, misuse (including use of the product for an unintended application), freezing water, abuse, neglect or improper or incorrectly performed installation, maintenance or repair, including failure to follow the applicable care and cleaning instructions. Delta Faucet Company recommends using a professional plumber for all installation and repair of faucets. We also recommend that you use only genuine Delta® replacement parts.

What You Must Do To Obtain Warranty Service or Replacement Parts: A warranty claim may be made and replacement parts may be obtained by calling 1 800 345 DELTA (3358) or by contacting us by mail or online as follows (please include your model number, date of original purchase and documentation of the date of receipt of the product by the original purchaser or their authorized representative (installation contractor, etc.):

In the United States and Mexico:
Delta Faucet Company
55 E. 111th Street
Carmel, IN 46280
Attention: Warranty Service
www.deltafaucet.com/service-parts/contact-us

In Canada:
Masco Canada Limited, Plumbing Group
Technical Service Centre
350 South Edgeware Road
St. Thomas, Ontario, Canada N5P 4L1
Attention: Customer Service
<http://www.deltafaucet.ca/customersupport/assistance.html>

Proof of purchase (original sales receipt showing purchase date) and documentation of the date of receipt of the product by the original purchaser or their authorized representative (installation contractor, etc.) from the original purchaser must be made available to Delta Faucet Company for all warranty claims unless the purchaser has registered the product with Delta Faucet Company or the product is a Delta® Recertified product purchased from deltafaucet.com. This warranty applies only to Delta® faucets manufactured after January 1, 2019 and installed in the United States of America, Canada and Mexico.

Limitation on Duration of Implied Warranties: Please note that some states/provinces (including Quebec) do not allow limitations on how long an implied warranty lasts, so the below limitations may not apply to you. TO THE MAXIMUM EXTENT PERMITTED BY APPLICABLE LAW, ANY IMPLIED WARRANTY, INCLUDING THE IMPLIED WARRANTIES OF MERCHANTABILITY AND OF FITNESS FOR A PARTICULAR PURPOSE, IS LIMITED TO THE STATUTORY PERIOD OR THE DURATION OF THIS WARRANTY, WHICHEVER IS SHORTER.

Limitation of Special, Incidental or Consequential Damages: Please note that some states/provinces (including Quebec) do not allow the exclusion or limitation of special, incidental or consequential damages, so the below limitations and exclusions may not apply to you. TO THE MAXIMUM EXTENT PERMITTED BY APPLICABLE LAW, THIS WARRANTY DOES NOT COVER, AND DELTA FAUCET COMPANY SHALL NOT BE LIABLE FOR, ANY SPECIAL, INCIDENTAL OR CONSEQUENTIAL DAMAGES (INCLUDING LABOR CHARGES TO REPAIR, REPLACE, INSTALL OR REMOVE THIS PRODUCT), WHETHER ARISING OUT OF BREACH OF ANY EXPRESS OR IMPLIED WARRANTY, BREACH OF CONTRACT, TORT, OR OTHERWISE. DELTA FAUCET COMPANY SHALL NOT BE LIABLE FOR ANY DAMAGE TO THE FAUCET RESULTING FROM REASONABLE WEAR AND TEAR, OUTDOOR USE, MISUSE (INCLUDING USE OF THE PRODUCT FOR AN UNINTENDED APPLICATION), FREEZING WATER, ABUSE, NEGLIGENCE OR IMPROPER OR INCORRECTLY PERFORMED INSTALLATION, MAINTENANCE OR REPAIR, INCLUDING FAILURE TO FOLLOW THE APPLICABLE INSTALLATION, CARE AND CLEANING INSTRUCTIONS. Notice to residents of the State of New Jersey: The provisions of this warranty, including its limitations, are intended to apply to the fullest extent permitted by the laws of the State of New Jersey.

Additional Rights: This warranty gives you specific legal rights, and you may also have other rights which vary from state/province to state/province. This is Delta Faucet Company's exclusive written warranty and the warranty is not transferable.

If you have any questions or concerns regarding our warranty, please contact us as provided above or view our Warranty FAQs at www.deltafaucet.com.

© 2023 Masco Corporation of Indiana

Garantía limitada de las llaves de agua/grifos Delta® Faucet

Piezas y Acabado: Todas las piezas (excepto las piezas electrónicas y las baterías) y los acabados de las llaves de agua Delta® comprados a vendedores autorizados de Delta están garantizados para el comprador consumidor original estar libres de defectos de materiales y mano de obra durante el tiempo que el comprador consumidor original sea dueño de la casa en la que la llave de agua se instaló por primera vez. Para compradores comerciales, (a) el período de garantía es de diez (10) años para aplicaciones residenciales multifamiliares y (b) cinco (5) años para todas las demás aplicaciones comerciales, en cada caso a partir de la fecha en que el comprador original o su representante autorizado (contratista de instalación, etc.) recibió el producto. A los efectos de esta garantía, el término "aplicación residencial multifamiliar" se refiere a la compra de la llave de agua a un vendedor autorizado de Delta por parte de un comprador que es propietario pero no vive en la vivienda residencial en la que se instaló inicialmente la llave de agua, como en una unidad individual alquilada o arrendada o en una vivienda unifamiliar de varias unidades (dúplex o casa adosada), o en un condominio, edificio de apartamentos o centro de vivienda comunitaria. Las siguientes instalaciones no se consideran aplicaciones residenciales multifamiliares, están excluidas de la garantía de 10 años y están sujetas a la garantía de 5 años: instalaciones industriales, institucionales u otras instalaciones comerciales, como dormitorios, instalaciones de hospitalidad (hotel, motel o ubicación de estadía prolongada), aeropuerto, centro educativo, centro de atención médica a corto o largo plazo (hospital, centro de rehabilitación, enfermería, unidad de vivienda asistida o de atención por etapas), espacio público o área común.

Piezas y acabados para llaves de agua recertificadas Delta® Recertified: Delta Faucet Company ofrece a la venta en línea llaves de agua/grifos recertificados Delta®. Los grifos Recertificados de Delta® solo incluyen llaves de agua que han sido certificadas como tales por Delta Faucet Company. Todas las piezas (excepto las piezas electrónicas y las pilas) y los acabados de estas llaves Recertificadas de Delta® están garantizados al comprador consumidor original estar libres de defectos de materiales y de mano de obra durante diez (10) años a partir de la fecha en que el comprador original o su representante autorizado (contratista de instalación, etc.) recibió el producto. Para compradores comerciales, el período de garantía es de un (1) año a partir de la fecha en que el comprador original o su representante autorizado (contratista de instalación, etc.) recibió el producto.

Partes electrónicas: Se garantiza al comprador consumidor original que las piezas electrónicas (que no sean pilas), si las hubiera, de las llaves de agua Delta® compradas en deltafaucet.com o a vendedores autorizados de Delta, estar libres de defectos de materiales y de mano de obra durante cinco (5) años a partir de la fecha en que el comprador original o su representante autorizado (contratista de instalación, etc.) recibió el producto o para compradores comerciales, durante un (1) año a partir de la fecha en que el comprador original o su representante autorizado (contratista de instalación, etc.) recibió el producto. No se proporciona garantía en las pilas.

Lo que haremos: Delta Faucet Company reparará o reemplazará, sin cargo, durante el período de garantía aplicable (como se describe anteriormente), cualquier pieza o acabado que resulte defectuoso en material y/o mano de obra en condiciones normales de instalación, uso y servicio. Delta Faucet Company puede, a su exclusivo criterio, usar piezas o productos nuevos, reacondicionados o recertificados para dicha reparación o reemplazo. Si la reparación o el reemplazo no son prácticos, Delta Faucet Company puede optar por reembolsar el precio de compra a cambio de la devolución del producto. Estos son sus remedios exclusivos.

Lo que no está cubierto: Debido a que Delta Faucet Company no puede controlar la calidad de los productos Delta vendidos por vendedores no autorizados, a menos que la ley lo prohíba, esta garantía no cubre los productos Delta comprados a vendedores no autorizados.

Esta garantía no cubre los cargos de mano de obra incurridos por el comprador para reparar, reemplazar, instalar o quitar este producto. Delta Faucet Company no será responsable de ningún daño a la llave de agua/grifo que resulte del desgaste razonable, uso en exteriores, mal uso (incluido el uso del producto para una aplicación no deseada), agua helada, abuso, negligencia o instalación o mantenimiento inadecuados o realizados incorrectamente o reparación, incluido el incumplimiento de las instrucciones de cuidado y limpieza correspondientes. Delta Faucet Company recomienda utilizar un plomero profesional para toda la instalación y reparación de las llaves de agua. También le recomendamos que utilice únicamente piezas de repuesto originales de Delta®.

Lo que debe hacer para obtener el servicio de garantía o las piezas de repuesto: Se puede realizar un reclamo de garantía y obtener piezas de repuesto llamando al 1 800 345 DELTA (3358) o comunicándose con nosotros por correo o en línea de la siguiente manera (incluya su número de modelo, fecha de compra original y documentación con la fecha cuando el comprador original o su representante autorizado (contratista de instalación, etc.) recibió el producto):

En los Estados Unidos y México:

Delta Faucet Company
55 E. 111th Street
Carmel, IN 46280
Attention: Warranty Service
www.deltafaucet.com/service-parts/contact-us

En Canadá:

Masco Canada Limited, Plumbing Group
Technical Service Centre
350 South Edgeware Road
St. Thomas, Ontario, Canada N5P 4L1
Attention: Customer Service
<http://www.deltafaucet.ca/customersupport/assistance.html>

El comprobante de compra (recibo de venta original que muestre la fecha de compra) y la documentación con la fecha cuando el comprador original o su representante autorizado (contratista de instalación, etc.) recibió el producto deben estar disponibles para Delta Faucet Company para todos reclamos de garantía a menos que el comprador haya registrado el producto con Delta Faucet Company o el producto sea un producto Delta® Recertified comprado en deltafaucet.com. Esta garantía se aplica solo a las llaves de agua Delta® fabricadas después del 1 de enero de 2019 e instaladas en los Estados Unidos de América, Canadá y México.

Limitación de la duración de las garantías implícitas: Tenga en cuenta que algunos estados/provincias (incluido Quebec) no permiten limitaciones sobre la duración de una garantía implícita, por lo que es posible que las siguientes limitaciones no se apliquen en su caso. EN LA MEDIDA MÁXIMA PERMITIDA POR LA LEY APLICABLE, CUALQUIER GARANTÍA IMPLÍCITA, INCLUIDAS LAS GARANTÍAS IMPLÍCITAS DE COMERCIABILIDAD E IDONEIDAD PARA UN FIN DETERMINADO, SE LIMITA AL PERÍODO LEGAL O A LA DURACIÓN DE ESTA GARANTÍA, EL QUE SEA MÁS BREVE.

Limitación de Daños Especiales, Incidentales o Consecuentes: Tenga en cuenta que algunos estados/provincias (incluido Quebec) no permiten la exclusión o limitación de daños especiales, incidentales o consecuentes, por lo que es posible que las siguientes limitaciones y exclusiones no se apliquen en su caso. EN LA MEDIDA MÁXIMA PERMITIDA POR LA LEY APLICABLE, ESTA GARANTÍA NO CUBRE, Y DELTA FAUCET COMPANY NO SERÁ RESPONSABLE DE NINGÚN DAÑO ESPECIAL, INCIDENTAL O CONSECUENTE (INCLUIDOS LOS CARGOS DE MANO DE OBRA PARA REPARAR, REEMPLAZAR, INSTALAR O QUITAR ESTE PRODUCTO), YA SEA QUE SURJA FUERA DEL INCUMPLIMIENTO DE CUALQUIER GARANTÍA EXPRESA O IMPLÍCITA, INCUMPLIMIENTO DE CONTRATO, AGRAVIO U OTRO. DELTA FAUCET COMPANY NO SERÁ RESPONSABLE DE CUALQUIER DAÑO A LA LLAVE DE AGUA O RESULTANTE DEL DESGASTE Y DESGASTE RAZONABLE, USO AL AIRE LIBRE, USO INCORRECTO (INCLUYENDO EL USO DEL PRODUCTO PARA UNA APLICACIÓN NO DESEADA), AGUA CONGELADA, ABUSO, DESCUIDO O INSTALACIÓN O MANTENIMIENTO IMPROPIO O REALIZADOS INCORRECTAMENTE O REPARACIÓN, INCLUYENDO EL INCUMPLIMIENTO DE LAS INSTRUCCIONES DE INSTALACIÓN, CUIDADO Y LIMPIEZA CORRESPONDIENTES. Aviso para los residentes del Estado de Nueva Jersey: Las disposiciones de esta garantía, incluidas sus limitaciones, se aplicarán en la medida máxima permitida por las leyes del Estado de Nueva Jersey.

Derechos adicionales: Esta garantía le otorga derechos legales específicos, y es posible que también tenga otros derechos que varían de un estado/provincia a otro estado/provincia. Esta es la garantía escrita exclusiva de Delta Faucet Company, y la garantía no es transferible.

Si tiene alguna pregunta o inquietud con respecto a nuestra garantía, comuníquese con nosotros como se indicó anteriormente o visite en nuestro sitio web Preguntas Frecuentes FAQ en www.deltafaucet.com

© 2023 Masco Corporation de Indiana

Garantie limitée des robinets Delta®

Pièces et finis: Tous les pièces (autres que les composants électroniques et les piles) et les finis de ce robinet Delta® achetés chez des vendeurs Delta autorisés sont protégés contre les défauts de matériel et les vices de fabrication par une garantie qui est consentie au premier acheteur au détail et qui demeure valide tant que celui-ci demeure propriétaire de la maison dans laquelle le robinet a été installé. En ce qui concerne les acheteurs commerciaux, la période de garantie est a) de dix (10) ans pour les applications résidentielles multifamiliales et b) de cinq (5) ans pour toutes les autres applications commerciales, à compter, dans chaque cas, de la date de réception du produit par le premier acheteur ou son représentant autorisé (installateur, etc.). Dans le libellé de la présente garantie, on entend par « application résidentielle multifamiliale », un robinet acheté chez un vendeur Delta autorisé par un acheteur qui est propriétaire d'un logement résidentiel sans l'habiter et installé pour la première fois dans cet immeuble. Il peut s'agir d'un immeuble individuel comportant un ou plus d'un logement loué à court terme ou à long terme (duplex ou groupe de maisons en rangée), d'un condominium, d'un immeuble d'habitation ou d'un centre d'intégration communautaire. Les applications décrites ci-après ne sont pas considérées comme des applications multifamiliales et elles sont couvertes par la garantie de 5 ans plutôt que par la garantie de 10 ans. Ce sont les suivantes : robinets installés dans un bâtiment industriel, un bâtiment institutionnel et un autre immeuble commercial, notamment une résidence d'étudiants, un lieu d'hébergement (hôtel, motel ou lieu de séjour prolongé), un aéroport, un établissement d'enseignement, un établissement de soins de santé de courte ou de longue durée (hôpital, centre de réadaptation, maison de soins infirmiers), un endroit public ou un lieu commun.

Pièces et finis des robinets recertifiés Delta®: Delta Faucet Company offre en vente en ligne des robinets recertifiés Delta®. Les robinets recertifiés Delta® comprennent uniquement les robinets qui ont été certifiés à ce titre par Delta Faucet Company. Tous les pièces (autres que les pièces électroniques et les piles) et les finis de ces robinets Delta® recertifiés sont protégés contre les défauts de matériel et les vices de fabrication par une garantie qui est consentie au premier acheteur au détail et qui est d'une durée de dix (10) ans à compter de la date de réception du produit par le premier acheteur ou son représentant autorisé (installateur, etc.). En ce qui concerne les acheteurs commerciaux, la période de garantie est d'un (1) an à compter de la date de réception du produit par le premier acheteur ou son représentant autorisé (installateur, etc.).

Composants électroniques: Les composants électroniques (autres que les piles), le cas échéant, de ce robinet Delta® qui ont été achetés auprès de deltafaucet.com ou de vendeurs Delta autorisés sont protégés contre les défauts de matériel et les vices de fabrication par une garantie consentie au premier acheteur au détail qui est de cinq (5) ans à compter de la date de réception du produit par le premier acheteur ou son représentant autorisé (installateur, etc.). En ce qui concerne les acheteurs commerciaux, la période de garantie est d'un (1) an à compter de la date de réception du produit par le premier acheteur ou son représentant autorisé (installateur, etc.). Les piles ne sont pas couvertes par la garantie.

Ce que nous ferons: Delta Faucet Company réparera ou remplacera gratuitement, pendant la période de garantie applicable (décrite ci-dessus), toute pièce ou tout fini qui présentera un défaut de matériel et/ou un vice de fabrication pour autant que le produit ait été installé, utilisé et entretenu normalement. Delta Faucet Company peut, à sa seule discrétion, utiliser des produits neufs, remis à neuf ou recertifiés ou des pièces neuves, remises à neuf ou recertifiées pour effectuer la réparation ou le remplacement. S'il n'est pas utile de réparer ou de remplacer le produit, Delta Faucet Company pourra rembourser le prix d'achat en échange du produit retourné. Il s'agit de vos seuls recours.

Ce qui n'est pas couvert: Étant donné que Delta Faucet Company n'est pas en mesure de contrôler la qualité des produits vendus par des vendeurs non autorisés, la présente garantie ne s'applique pas aux produits Delta vendus par des vendeurs non autorisés, à moins que cette restriction ne soit interdite par la loi. La présente garantie ne couvre pas les frais de main-d'œuvre encourus par l'acheteur pour la réparation, le remplacement, l'installation ou la dépose du robinet. Delta Faucet Company se dégage de toute responsabilité à l'égard de toute détérioration du robinet résultant d'une usure raisonnable et des dommages causés par une utilisation à l'extérieur, un mauvais usage (y compris l'utilisation du produit à des fins autres que celles auxquelles il est destiné), le gel de l'eau, un usage abusif, la négligence ou l'utilisation d'une méthode d'installation, de maintenance ou de réparation incorrecte ou inadéquate, y compris les dommages résultant du non-respect des instructions de nettoyage et d'entretien applicables. Delta Faucet Company vous recommande de confier tous les travaux d'installation et de réparation à un plombier professionnel. Nous vous recommandons également d'utiliser uniquement des pièces de rechange Delta® authentiques.

Ce que vous devez faire pour vous prévaloir de la garantie ou obtenir des pièces de rechange: Vous pouvez présenter une réclamation en vertu de la garantie et obtenir des pièces de rechange en appelant au 1-800-345-DELTA (3358) ou en communiquant avec nous à l'une des adresses postales ou des adresses de courriel indiquées ci-dessous (veuillez fournir le numéro de modèle, la date de l'achat initial et la documentation attestant la date de réception du produit par le premier acheteur ou son représentant autorisé (installateur, etc.)).

Aux États-Unis et au Mexique

Delta Faucet Company
55 E. 111th Street
Carmel, IN 46280
Attention: Warranty Service
www.deltafaucet.com/service-parts/contact-us

Au Canada:

Masco Canada Limited, Groupe plomberie
Centre de services techniques
350, chemin South Edgeware
St. Thomas (Ontario) Canada N5P 4L1
À l'attention du Service à la clientèle
<http://www.deltafaucet.ca/customersupport/assistance.html>

La preuve d'achat (original du reçu du premier acheteur montrant la date d'achat) et la documentation attestant la date de réception du produit par le premier acheteur ou son représentant autorisé (installateur, etc.) doivent être présentées à Delta Faucet Company pour toutes les demandes en vertu de la garantie, sauf si le produit a été enregistré auprès de Delta Faucet Company ou si le produit est un produit recertifié Delta® acheté auprès de deltafaucet.com. La présente garantie s'applique uniquement aux robinets Delta® fabriqués après le 1er janvier 2019 et installés aux États-Unis d'Amérique, au Canada et au Mexique.

Limitation de la durée des garanties implicites: Veuillez noter qu'il est interdit, dans certains États ou certaines provinces (y compris le Québec), de limiter la durée d'une garantie implicite. Par conséquent, les limitations mentionnées ci-dessous peuvent ne pas s'appliquer à vous. DANS LA MESURE DE CE QUI EST PERMIS PAR LA LOI APPLICABLE, TOUTES LES GARANTIES IMPLICITES, Y COMPRIS LES GARANTIES IMPLICITES DE QUALITÉ MARCHANDE ET D'ADÉQUATION À UN USAGE PARTICULIER, SE LIMITENT À LA PÉRIODE FIXÉE PAR LA LOI OU À LA DURÉE DE LA PRÉSENTE GARANTIE, LA PLUS COURTE DES DEUX PÉRIODES S'APPLIQUANT.

Limitation des dommages particuliers, consécutifs ou indirects: Veuillez noter qu'il est interdit, dans certains États ou certaines provinces (y compris le Québec), d'exclure ou de limiter les dommages particuliers, consécutifs ou indirects. Par conséquent, les limitations et les exclusions mentionnées ci-dessous peuvent ne pas s'appliquer à vous. DANS LA MESURE DE CE QUI EST PERMIS PAR LA LOI APPLICABLE, DELTA FAUCET COMPANY SE DÉGAGE DE TOUTE RESPONSABILITÉ À L'ÉGARD DES DOMMAGES PARTICULIERS, CONSÉCUTIFS ET INDIRECTS (Y COMPRIS LES FRAIS DE MAIN-D'ŒUVRE POUR LA RÉPARATION, LE REMPLACEMENT, L'INSTALLATION OU LA DÉPOSE DU PRODUIT), PEU IMPORTE QU'ILS DÉCOULENT D'UNE RUPTURE D'UNE GARANTIE IMPLICITE OU EXPLICITE, D'UNE RUPTURE DE CONTRAT, D'UN DÉLIT CIVIL OU D'UNE AUTRE CAUSE. DELTA FAUCET COMPANY SE DÉGAGE DE TOUTE RESPONSABILITÉ À L'ÉGARD DE TOUTE DÉTÉRIORATION DU ROBINET RÉSULTANT D'UNE USURE RAISONNABLE ET DES DOMMAGES CAUSÉS PAR UNE UTILISATION À L'EXTÉRIEUR, UN MAUVAIS USAGE (Y COMPRIS L'UTILISATION DU PRODUIT À DES FINS AUTRES QUE CELLES AUXQUELLES IL EST DESTINÉ), LE GEL DE L'EAU, UN USAGE ABUSIF, LA NÉGLIGENCE OU L'UTILISATION D'UNE MÉTHODE D'INSTALLATION, DE MAINTENANCE OU DE RÉPARATION INCORRECTE OU INADÉQUATE, Y COMPRIS LES DOMMAGES RÉSULTANT DU NON-RESPECT DES INSTRUCTIONS D'INSTALLATION, D'ENTRETIEN ET DE NETTOYAGE APPLICABLES, ET CES DOMMAGES NE SONT PAS COUVERTS PAR LA GARANTIE. Avis à l'intention des résidents de l'État du New Jersey : Les dispositions de la présente garantie, y compris ses limitations, s'appliquent dans toute la mesure permise par les lois de l'État du New Jersey.

Droits supplémentaires: La présente garantie vous procure des droits particuliers reconnus par la loi. Vous pouvez avoir d'autres droits qui varient selon l'État ou la province. La présente garantie écrite est la seule garantie offerte par Delta Faucet Company et elle n'est pas transférable.

Si vous avez des questions ou des préoccupations concernant notre garantie, veuillez communiquer avec nous de la manière indiquée ci-dessus ou consulter notre FAQ sur la garantie à www.deltafaucet.com.

© 2023 Masco Société de l'Indiana

